



the pressure equipment safety authority

9410 - 20 Ave N.W.  
Edmonton, Alberta, Canada T6N 0A4  
Tel: (780) 437-9100 / Fax: (780) 437-7787

November 29, 2007

**Attention:** Michael Zinn  
MICRO MOTION INC  
7070 WINCHESTER CIRCLE  
BOULDER, CO 80301

Re: Design registration

The design submission, tracking number 2007-06675, originally received on September 19, 2007 was surveyed and accepted for registration as follows:

**CRN :** 0F08762.2

**Accepted on:** November 29, 2007

**Reg Type:** New Design

**Expiry Date:** November 29, 2017

**Drawing No. :** CMFHC3M, CMFHC3A, CMFHC3C FLOW METER

**Fitting type:**

An acceptance letter and a copy of the stamped drawing with Statutory Declaration will be sent to you.  
An invoice covering survey and registration fees will be forwarded from our Revenue Accounts.  
If you have any question don't hesitate to contact me by phone at (780) 433-0281 ext 3330 or fax (780) 437-7787 or e-mail [grynchuk@absa.ca](mailto:grynchuk@absa.ca).

Sincerely,

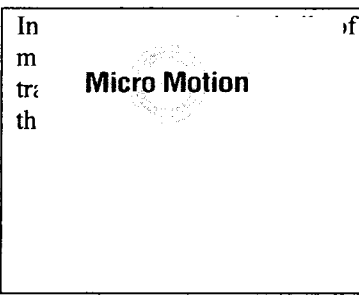
A handwritten signature in black ink, appearing to read 'M. Grynchuk', written in a cursive style.

GRYNCHUK, MILLA  
Design Surveyor



the pressure equipment safety authority

STATUTORY DECLARATION
Registration of Fittings



I, Michael Zinn

Approval Manager

(company title, e.g. vice president, plant manager, chief engineer) (must be in a position of authority)

of Micro Motion, Inc.

(name of manufacturer)

located at 7070 Winchester CR, Boulder, CO 80301

(plant address)

do solemnly declare that the fittings listed hereunder, which are subject to the Safety Codes Act (check one)

[X] comply with the requirements of ASME B31.3 which specifies the dimensions, (title of recognized North American Standard)

materials of construction, pressure/temperature ratings and identification marking of the fittings, or

[ ] are not covered by the provisions of a recognized North American standard and are therefore manufactured to

comply with as supported by the attached data which identifies the dimensions, materials of construction, pressure/temperature ratings and the basis for such ratings, and the marking of the fittings for identification.

I further declare that the manufacture of these fittings is controlled by a quality control program which has been verified by the following authority, DNV as being suitable for the manufacture of these fittings to the stated standard. The fittings covered by this declaration, for which I seek registration, are CMFHC3(M, A or C)

In support of this application, the following information, calculations and/or test data are attached:

Tube Drawings and Calculations, Manifold Burst Tests

DECLARED before me at Boulder County in the State of Colorado

this 17th day of September, 2007 (Month) (Year)

(print) Leslie R. Stengel, Notary Public

Michael Zinn (Signature of Applicant)

(sign) Leslie R. Stengel (A Commissioner for Oaths)

My commission expires 8/16/2008

For Office Use Only

NOTE: SEE SCOPE OF REGISTRATION L. 6

To the best of my knowledge and belief, the application meets the requirements of the Safety Codes Act and CSA Standard B51, Clause 4.2, and is accepted for registration in Category "F"

Registration Number:

0 F 08762 . 2

MILLA GRYNCHUK

[Signature]

(For the Administrator/Chief Inspector of Alberta)

Date Registered:

NOV 29 2007

Expiry Date: 2017-11-29

This registration covers the following Flow meters:

CMFHC3M 150/300/600 lb

CMFHC3A 150/300/600 lb

CMFHC3C 150/300/600 lb

Materials: Tubes ASTM A 269 316/316L

Manifold ASTM A351 CF-3M

Flange Standard – per B16.5

Flange non-standard MMI-20009590 Rev. A A-182 F316/316L

Pressure/temperature rating table is attached.

**0 F 0 8 7 6 2 . 2**

GENERAL NOTES: (UNLESS OTHERWISE SPECIFIED)

REV.	EDN.	DESCRIPTION OF CHANGE	DRAWN	CHKD	APVD	DATE

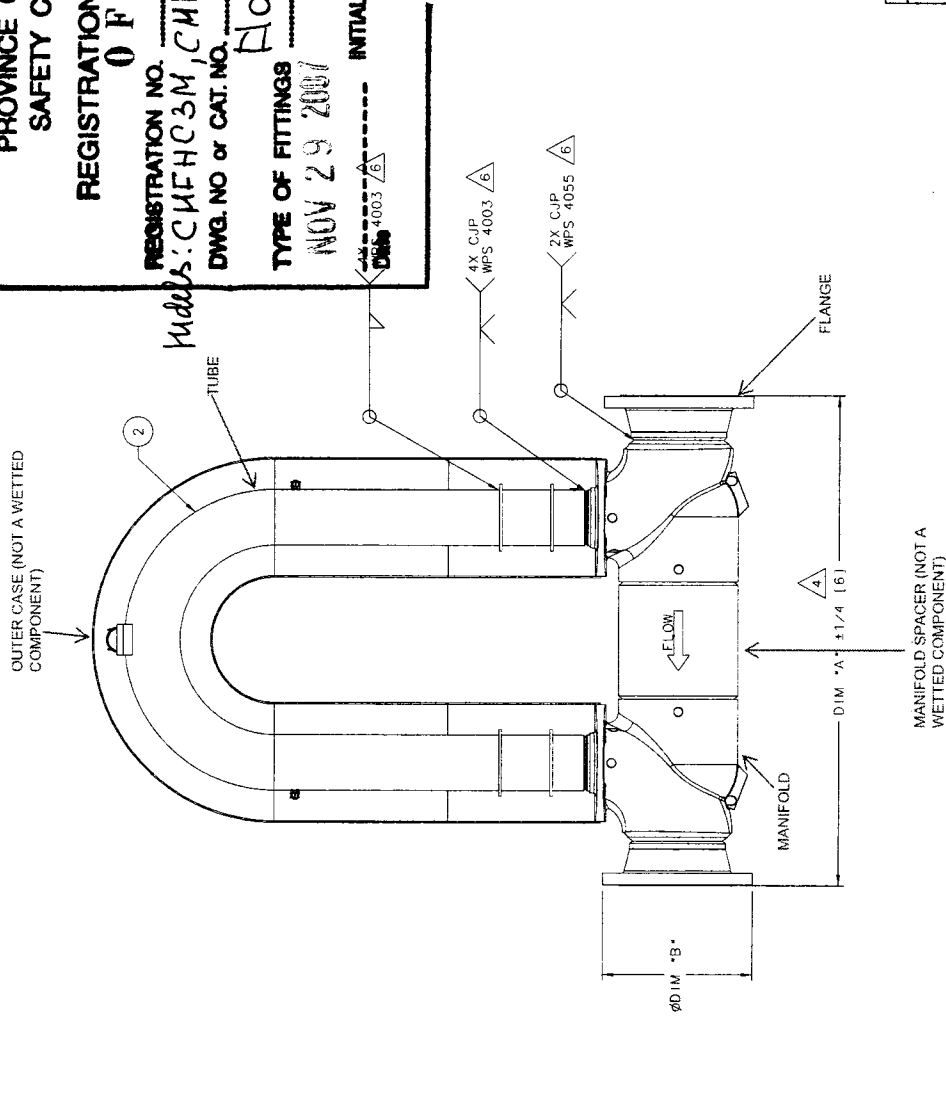
**ALBERTA BOILERS SAFETY ASSOCIATION**  
**PROVINCE OF ALBERTA**  
**SAFETY CODES ACT**

**REGISTRATION OF FITTINGS**  
**0 F 08762**

REGISTRATION NO. **0 F 08762**  
 REG. NO.: CMFHC3M, CMFHC3A, CMFHC3C  
 DWG. NO. or CAT. NO. **Flow Meters**

**TYPE OF FITTINGS**  
**NOV 29 2007**

INITIALS *[Signature]*



TITLE	DESCRIPTION	PART OR REF. NO.	MATERIAL	QTY.

NAME	DATE	SIZE	REV.

MICRO MOTION, INC.  
 BOULDER, COLORADO

APPROVAL: CMFHC3 PED

PROJ: MZ 8/13/07  
 Dwg: EB-20010642  
 SCALE: 3:1 (1.5) (1.5)

THIS COMPONENT MUST COMPLY WITH REGULATION FOR WETTED PARTS. NO CHANGES ARE ALLOWED WITHOUT PRIOR AUTHORIZATION FROM MICRO MOTION APPROVALS ENGINEERING.

COPYRIGHT 2007 MICRO MOTION, INC. ALL RIGHTS RESERVED.

1 2 3 4 5 6 7 8

A B C D