

# Fisher® 685 Piston Actuator

## Contents

Introduction .....	1
Scope of Manual .....	1
Description .....	1
Specifications .....	2
Educational Services .....	3
Principle of Operation .....	3
Installation .....	5
Three-Way Valve Applications Note .....	6
Actuator Mounting .....	6
Handwheel Operation .....	7
Maintenance .....	8
Actuator Removal .....	8
Seal and O-ring Replacement .....	9
Parts Ordering .....	11
Parts Kit .....	11
Parts List .....	12

Figure 1. Fisher 685 Piston Actuator



X0922

## Introduction

### Scope of Manual

This instruction manual provides information on the installation, maintenance, and parts ordering for Fisher 685 piston actuators. Refer to separate instruction manuals for information regarding other equipment and accessories used with these actuators.

Do not install, operate, or maintain a Fisher 685 actuator without being fully trained and qualified in valve, actuator, and accessory installation, operation, and maintenance. To avoid personal injury or property damage, it is important to carefully read, understand, and follow all the contents of this manual, including all safety cautions and warnings. If you have any questions about these instructions, contact your [Emerson Process Management sales office](#) before proceeding.



### Description

The Fisher 685 is a double acting piston actuator that provides accurate, high thrust output for short to long travel applications. This actuator is designed for use with a variety of medium to large Fisher sliding-stem control valves including the easy-e™, FB, TBX, HP, EH, and 461.



Table 1. Specifications

**Operating Pressure<sup>(1)</sup>**

Minimum: 2.7 bar (40psig)

Maximum Allowable: 10.3 bar (150 psig)

Consult your [Emerson Process Management sales office](#) for supply pressures under 2.7 bar (40 psi)

**Travel<sup>(2)</sup>**

25 mm (1 inch) through 610 mm (24 inch)

See table 2

**Thrust Capabilities**

See table 3

**Piston Diameter and Area<sup>(2)</sup>**

Available in 51 mm (2 inch) increments between 305 mm (12 inch) and 660 mm (26 inch)

See table 2

**Operative Temperature Limits**

Standard: -40 to 93°C (-40 to 200°F)

Low Temperature: -54 to 93°C (-65 to 200°F)<sup>(3)</sup>

High Temperature: -29 to 204°C (-20 to 400°F)<sup>(3)</sup>

**Yoke Boss and Valve Stem Diameter**

■ 127 mm (5H inch) yoke boss with 32 mm (1-1/4 inch) stem ■ 178 mm (7 inch) yoke boss with 51 mm (2 inch) stem

**Pressure Connections**

Standard: 3/4 NPT

Optional: 1 and 1-1/4 NPT

**Instrument Mounting**

Mounting kits are available for use with the FIELDVUE DVC6200 series positioner

**Construction Materials**

PART	MATERIAL
Yoke	ASTM A36 (steel)
Piston	ASTM A36 (steel)
Cylinder	305 to 559 mm (12 to 22 inch) Cylinder: 1026 DOM (steel) with chrome-plated bore 610 to 660 mm (24 to 26 inch) Cylinder: ASTM A516 Grade 70 (steel) with fluoropolymer coated bore
Upper/Lower Heads	ASTM A36 (steel)
Tie Bolt	ASTM A311 1045, Class B (steel)
Piston Rod	S31603 (316L stainless steel)
Stem Connector	ASTM A36 (steel)

**Weights**

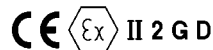
See tables 4 and 5

**Lifting Point Load Ratings**

See table 6

**Optional Certifications<sup>(4)</sup>**

- Pressure Equipment Directive (PED) 97/23/EC
- Complies with the requirements of ATEX Group II Category 2 Gas and Dust



- Customs Union Technical Regulations (CU TR) 010/2011 and 012/2011



Fisher 685 actuators have been evaluated for ignition hazard and certified for CUTR 012/2011 under “protection by constructional safety”. To ensure conformity with CUTR, only Fisher parts and materials can be used.

1. The pressure/temperature limits in this bulletin and any other applicable standard or code should not be exceeded.

2. Consult factory for larger travels or cylinder diameters. The Fisher 585C family of actuators are available for smaller travels or cylinder diameters.

3. Consult factory for applications requiring low or high temperature requirements.

4. Refer to the product nameplates to determine which certifications each actuator construction possesses.

## Specifications

Specifications for 685 piston actuators are given in table 1. Refer to the nameplate affixed to the actuator yoke for specifications specific to individual constructions.

## Educational Services

For information on available courses for Fisher 685 piston actuators, as well as a variety of other products, contact:

Emerson Process Management  
 Educational Services - Registration  
 Phone: 1-641-754-3771 or 1-800-338-8158  
 E-mail: [education@emerson.com](mailto:education@emerson.com)  
<http://www.emersonprocess.com/education>



## Principle of Operation

685 piston actuators utilize a pneumatically controlled piston that moves inside of a cylinder to generate thrust. A seal contained on the circumference of the piston provides a seal between the piston and the cylinder, preventing supply pressure leakage.

From an equilibrium state, the actuator operates by reacting to a force unbalance that is created by increasing supply pressure on one side of the piston, and decreasing it on the other. This moves the piston up or down, and results in a repositioning of the attached control valve. Travel can be adjusted using travel limits within a valve positioner, which limit the travel range of the actuator. The optional handwheel manual override does not have the ability to act as a hard travel stop.

An optional handwheel manual override is capable of extending or retracting the actuator manually and can be engaged at any position from full open to full close. This override utilizes a worm gear assembly that is attached to the stem connector and not attached to the cylinder or piston rod. This enables the manual override to reposition the control valve even if the actuator cylinder or piston is removed for maintenance.

Table 2. Standard Constructions<sup>(1)</sup>

ACTUATOR SIZE	PISTON DIAMETER	PISTON ROD AREA	PISTON AREA	VALVE STEM CONNECTOR SIZE	YOKE BOSS DIAMETER	VALVE TRAVEL	
						Minimum	Maximum
<b>mm (cm<sup>2</sup> for Area)</b>							
12	305	16	730	32 or 51	127 or 178	>203	610
14	356	32	993	32 or 51	127 or 178	>203	610
16	406	32	1297	32 or 51	127 or 178	>203	610
18	457	32	1642	32 or 51	127 or 178	>203	610
20	508	46	2027	32 or 51	127 or 178	25	610
22	559	46	2452	32 or 51	127 or 178	25	610
24	610	62	2919	32 or 51	127 or 178	25	610
26	660	62	3425	32 or 51	127 or 178	25	610
<b>Inches (inch<sup>2</sup> for Area)</b>							
12	12	2.41	113	1-1/4 or 2	5H or 7	>8	24
14	14	4.91	154	1-1/4 or 2	5H or 7	>8	24
16	16	4.91	201	1-1/4 or 2	5H or 7	>8	24
18	18	4.91	254	1-1/4 or 2	5H or 7	>8	24
20	20	7.07	314	1-1/4 or 2	5H or 7	1	24
22	22	7.07	380	1-1/4 or 2	5H or 7	1	24
24	24	9.62	452	1-1/4 or 2	5H or 7	1	24
26	26	9.62	531	1-1/4 or 2	5H or 7	1	24

1. Consult your Emerson Process Management sales office for additional sizes.

Table 3. Thrust

ACTUATOR SIZE	STROKE	THRUST AT SUPPLY PRESSURE, N (LBF) <sup>(1)</sup>			
		4.1 barg (60 psig)	5.5 barg (80 psig)	6.9 barg (100 psig)	10.3 barg (150 psig) <sup>(2)</sup>
12	Push	30183 (6786)	40245 (9048)	50306 (11310)	75459 (16965)
14		41083 (9236)	54777 (12315)	68472 (15394)	102707 (23091)
16		53659 (12064)	71546 (16085)	89432 (20106)	134149 (30159)
18		67913 (15268)	90550 (20358)	113188 (25447)	169782 (38170)
20		83843 (18850)	111790 (25133)	139738 (31416)	209607 (47124)
22		101450 (22808)	135266 (30411)	169083 (38013)	253625 (57020)
24		120734 (27143)	160978 (36191)	201223 (45239)	301834 (67858)
26		141694 (31856)	188926 (42474)	236157 (53093)	354236 (79639)
12		Pull	29540 (6641)	39387 (8855)	49234 (11069)
14	39773 (8942)		53030 (11922)	66288 (14903)	99432 (22354)
16	52349 (11769)		69799 (15692)	87248 (19615)	130873 (29423)
18	66602 (14974)		88803 (19965)	111004 (24956)	166506 (37434)
20	81956 (18425)		109275 (24567)	136593 (30709)	204890 (46063)
22	99563 (22384)		132751 (29845)	165938 (37306)	248907 (55959)
24	118166 (26566)		157555 (35422)	196944 (44277)	295416 (66415)
26	139127 (31279)		185503 (41705)	231878 (52131)	347817 (78196)

1. Consult your [Emerson Process Management sales office](#) for supply pressures below 40 psig.  
2. Maximum available thrust.

Table 4. Approximate Weights for Constructions without Handwheels

MAXIMUM VALVE TRAVEL	APPROXIMATE WEIGHT FOR ACTUATOR SIZE, kg (lbs)							
	12	14	16	18	20	22	24	26
102 (4.00)					402 (886)	475 (1048)	662 (1459)	761 (1677)
203 (8.00)					430 (947)	505 (1114)	702 (1548)	804 (1771)
305 (12.00)	157 (346)	245 (541)	292 (643)	337 (742)	457 (1008)	535 (1180)	743 (1637)	847 (1866)
406 (16.00)	168 (370)	262 (577)	311 (686)	358 (789)	485 (1069)	565 (1246)	783 (1726)	889 (1961)
508 (20.00)	179 (395)	278 (614)	331 (729)	379 (836)	512 (1129)	595 (1311)	823 (1815)	932 (2056)
610 (24.00)	190 (420)	295 (650)	350 (773)	401 (883)	540 (1190)	625 (1377)	864 (1904)	975 (2150)

Table 5. Approximate Weights for Constructions with Handwheels

MAXIMUM VALVE TRAVEL	APPROXIMATE WEIGHT FOR ACTUATOR SIZE, kg (lbs)							
	12	14	16	18	20	22	24	26
102 (4.00)					591 (1304)	664 (1463)	834 (1838)	925 (2038)
203 (8.00)					622 (1372)	696 (1535)	873 (1924)	965 (2128)
305 (12.00)	226 (499)	363 (800)	292 (643)	454 (1000)	653 (1440)	729 (1607)	912 (2010)	1006 (2218)
406 (16.00)	239 (527)	380 (838)	311 (686)	474 (1046)	684 (1508)	762 (1679)	951 (2096)	1047 (2308)
508 (20.00)	252 (555)	397 (876)	331 (729)	495 (1092)	715 (1576)	794 (1751)	990 (2182)	1088 (2398)
610 (24.00)	264 (583)	415 (914)	350 (773)	516 (1138)	746 (1644)	827 (1823)	1029 (2268)	1129 (2488)

Table 6. Lifting Point Load Ratings

ACTUATOR SIZE	LIFTING ORIENTATION	NUMBER OF LIFTING POINTS USED	MAXIMUM LOAD	
			kg	lbs
12 to 24	Actuator Centerline Horizontal	2	1540	3400
26		2	2860	6300
12 to 24	Actuator Centerline Vertical	2	3760	8300
26		2	6350	14000

## Installation

### ⚠ WARNING

Always wear protective gloves, clothing, and eyewear when performing any installation operations to avoid personal injury.

To avoid personal injury or property damage caused by bursting of pressure-retaining parts, be certain the cylinder pressure or other pressure ratings do not exceed the limits listed in table 1. Use pressure-limiting or pressure-relieving devices to prevent cylinder pressure or other pressures from exceeding these limits.

Check with your process or safety engineer for any additional measures that must be taken to protect against process media.

If installing into an existing application, also refer to the WARNING at the beginning of the Maintenance section in this instruction manual.

Dropping the actuator and any attached accessories and/or valve may cause personal injury and/or equipment damage. For all mounting procedures use an adequately sized chain, sling, hoist, or crane to handle the actuator and any attached accessories and/or valve. Use caution during lifting and handling to prevent slippage, swinging, faulty equipment connections, or sudden shock loads.

### CAUTION

Special care must be taken when installing an actuator in a horizontal service orientation. To avoid cantilever loads on the valve stem and yoke, it is the customer's responsibility to ensure proper support for a horizontal actuator.

When an actuator and control valve are shipped together as a control valve assembly, the actuator is normally mounted on the valve. Follow the valve instructions when installing the valve in the pipeline. If the actuator is shipped separately or if it is necessary to mount the actuator on the valve, perform the actuator mounting procedures in this instruction manual. Refer to the individual product instruction manuals for the installation or mounting of a FIELDVUE DVC6200 digital valve controller or 3610 positioner.

If the actuator is being installed without a positioner, the cylinder loading pressures should be supplied through a 4-way solenoid valve or a switching valve. The top and bottom sides of the piston are pressurized through the upper and lower heads (i.e. top and bottom of the cylinder).

The supply pressure medium should be clean, dry filtered air. If the supply source is capable of exceeding the maximum actuator operating pressure or positioner supply pressure, appropriate steps must be taken during installation to protect the positioner and all connected equipment against over pressurization.

The control valve should be located where it will be accessible for servicing. Room should be left above and below the control valve to permit removal of the actuator and valve plug.

## Three-Way Valve Applications Note

In three-way valve applications where the actuator fully strokes at a frequency of once per minute or faster, and the stroking speed is rapid (less than 0.5 seconds per stroke), there is a possibility that the stem can fracture at the plug if the actuator cylinder pressure is greater than 5.5 bar (80 psig). This can cause loss of control of process fluid and further damage to the actuator. Consideration should be given to the use of high-strength, fatigue-resistant stem materials in these applications.

## Actuator Mounting

The following procedure describes how to mount a 685 actuator on a push-down-to-close valve so that the piston rod to valve plug stem connection allows full travel and proper shutoff. Key numbers referenced in the following steps are shown in figures 2 and 3.

If you purchase a 685 actuator for field installation on a control valve, mount the actuator on the valve and secure it to the bonnet with the eight bonnet-to-actuator bolts. The stem connection should then be made up to clamp the actuator stem and valve plug stem together to provide proper valve travel.

### CAUTION

**If the valve stem is allowed to remain in the up position (towards the actuator) during mounting, it can interfere with the actuator mounting, possibly damage valve stem threads, or bend the valve stem. Be sure the valve stem is pushed down (into the valve body), away from the actuator while mounting.**

**To avoid damaging the seating surfaces, do not rotate the valve plug while it is seated. Also avoid damage to the valve plug stem by careful use of tools during travel adjustment.**

1. Thread two lifting eyes into the free ports on the upper head (key 1) 180 degrees apart. Reference tables 4 and 5 for approximate weights of the actuator to select an appropriate lifting eye. Attach appropriate rigging gear to the lifting eyes.
2. Slowly lower the actuator down onto the valve. Once the actuator is in place, insert the bonnet-to-actuator bolts and tighten the hex nuts.
3. Turn the two stem locknuts (if present) all the way onto the valve stem thread.
4. Starting with the cylinder fully retracted, manually, or with air pressure, extend the piston rod to the specified valve travel.
5. Attach the stem connector (key 18), clamping the piston rod (key 17) to the valve stem. Be sure you also attach the feedback arm and travel indicator.
6. Cycle the actuator to check availability of desired total travel and that the valve plug seats before the cylinder reaches the end of its stroke. You can make minor travel adjustments, if necessary, by loosening the stem

connector slightly, tightening the locknuts together, and (with the valve plug off the seat) screwing the stem either into or out of the stem connector by means of a wrench on the locknuts.

7. If the total travel is adequate, tighten the stem connector (key 18) securely, lock the stem locknuts (if present) against the connector, and adjust the indicator scale (key 22) on the yoke (key 21) to show valve plug position.
8. Provide a gauge, if necessary, to measure the pressure to the actuator. Make a final adjustment on the positioner to set the starting point of valve travel and to obtain full travel for the given instrument range.

## Handwheel Operation

If manual operation is required, the actuator should be equipped with a manual handwheel.

### CAUTION

**To avoid damage to actuator parts and difficult operation of actuator handwheels, open the bypass valve (key 66) before using a handwheel.**

The bypass assembly is furnished only when a handwheel actuator is specified. The bypass allows the pressure to equalize on either side of the piston, so that the manual actuator can be used to position the control valve. Flow through the bypass tubing is controlled by an angle needle valve, which is operated manually. This valve should be closed when air pressure is being used to operate the actuator.

Key numbers referenced in the following steps are shown in figure 2. Refer to table 7 for handwheel specifications.

1. Open the bypass valve.
2. Rotate the handwheel (key 45) to position the override engage pin (key 38) with the hole in the stem connector (key 10). Turn the engage pin control knob (key 33) clockwise to insert the override engage pin into the stem connector until it stops.

### Note

Depending on construction, the handwheel may have operation information stamped into the part. Always refer to steps 3 and 4 for operation information specific to push-down-to-close and push-down-to-open valves.

3. For a push-down-to-close valve: Rotate the handwheel (key 45) clockwise to close the valve and counterclockwise to open the valve.
4. For a push-down-to-open valve: Rotate the handwheel (key 45) counterclockwise to close the valve and clockwise to open the valve.
5. To disengage the manual handwheel, rotate the handwheel (key 45) to relieve any load placed on the override engage pin (key 38), turn the engage pin control knob (key 33) counter-clockwise until it stops.

Table 7. Handwheel Specifications

ACTUATOR SIZE	OUTPUT THRUST		HANDWHEEL DIAMETER		TURNS PER mm OF TRAVEL	TURNS PER INCH OF TRAVEL	MAXIMUM RIM FORCE REQUIRED	
	N	lbs	mm	Inch			N	lbs
12	44482	10000	305	12	3.8	96	290	65
14 to 18	88964	20000	406	16	3.0	80	380	85
20 to 26	133447	30000	610	24	2.8	72	450	100

## Maintenance

### **⚠ WARNING**

Avoid personal injury from sudden release of process pressure. Before performing any maintenance operations:

- Do not remove the actuator from the valve while the valve is still pressurized.
- Always wear protective gloves, clothing, and eyewear when performing any maintenance operations to avoid personal injury.
- Disconnect any operating lines providing air pressure, electric power, or a control signal to the actuator. Be sure the actuator cannot suddenly open or close the valve.
- Use bypass valves or completely shut off the process to isolate the valve from process pressure. Relieve process pressure on both sides of the valve. Drain the process media from both sides of the valve.
- Use lock-out procedures to be sure that the above measures stay in effect while you work on the equipment.
- The valve packing box may contain process fluids that are pressurized, *even when the valve has been removed from the pipeline*. Process fluids may spray out under pressure when removing the packing hardware or packing rings, or when loosening the packing box pipe plug.
- Check with your process or safety engineer for any additional measures that must be taken to protect against process media.

Instructions are given below for complete disassembly of the actuator, seal replacement, and O-ring replacement. When inspection or repair is necessary, disassemble the actuator only as far as is required to accomplish the job. Key numbers referenced in the following steps are shown in figures 2 and 3.

## Actuator Removal

The following procedure is for the removal of the actuator from a valve.

1. Disconnect the actuator tubing from the pressure connections on the upper and lower heads (keys 1 and 9) and positioner.

### **Note**

Refer to the appropriate instruction manual for any maintenance or adjustments that need to be made on the positioner.

2. Break the stem connection by removing hex nuts (key 57), lock washers (key 10), and studs (key 58) from the stem connector (key 18).
3. Remove the bonnet-to-actuator bolting securing the actuator to the valve bonnet.
4. Thread two lifting eyes into the free ports on the upper head (key 1) 180 degrees apart. Reference tables 4 and 5 for approximate weights of the actuator to select an appropriate lifting eye. Attach appropriate rigging gear to both lifting eyes and lift the actuator away from the valve bonnet and stem.
5. Place the actuator upside-down with the upper head (key 1) flat against the ground. Cloth or wood should be used to prevent against paint damage.
6. Refer to the Actuator Mounting section of this manual for instructions on mounting and installing the actuator onto a valve



## Seal and O-ring Replacement

The following procedure is for the replacement of the internal piston seals, bearing seals, and O-rings.

1. Complete Actuator Removal procedures above.

If the actuator has a handwheel manual override proceed to step 2, otherwise proceed directly to step 8.

2. Re-position the actuator so it is right-side up with the yoke (key 21) flat against the ground. Cloth or wood should be used to prevent against paint damage.
3. Measure the gap between the piston rod (key 17) and the engage/disengage block (key 43) – up to 1/8 inch – and make note, as this will be used during reassembly.
4. Remove the set screw (key 36) from the engage/disengage block (key 43).
5. Remove the hex head cap screws (key 20) and lock washers (key 10) that secure the yoke (key 21) to the lower head (key 9).
6. Using the same lifting eyes as in the Actuator Removal section, attach appropriate rigging gear and remove the cylinder assembly from the yoke (key 21). The rigging gear should allow the cylinder to be rotated freely. Rotate the cylinder assembly to unscrew the engage/disengage block (key 43) from the piston rod (key 17). After the engage/disengage block is removed, secure the cylinder assembly to the yoke using the hex head cap screws (key 20) and lock washers (key 10).
7. Place the actuator upside-down with the upper head (key 1) flat against the ground. Cloth or wood should be used to prevent against paint damage.
8. Loosen tie bolt hex nuts (key 11) in a crisscross pattern. Remove tie rod hex nuts and lock washers (key 10).
9. Remove the yoke (key 21) and the lower head (key 9) assembly from the cylinder (key 4) and place onto a flat surface with the O-ring side facing up. Using straps, secure this assembly to a solid structure to prevent it from falling over.
10. Extract bearing assembly (keys 12, 13, 14, and 15) from lower head (key 9) by removing the bearing retaining ring (key 16).
11. Remove the piston wiper seal (key 15), O-ring (key 13), and quad seal (key 12) from the bearing (key 14).
12. Clean bearing (key 14) with a light degreaser, if needed.
13. Lightly grease the new O-ring (key 13) and quad seal (key 12), then install onto bearing (key 14). Without grease, install a new piston wiper seal (key 15) onto the bearing.
14. Reinstall bearing assembly (keys 12, 13, 14, and 15) into lower head (key 9) and secure in place with the bearing retaining ring (key 16).
15. Remove the O-ring (key 2) from the lower head (key 9) and clean the groove with a light degreaser.
16. Lightly grease the new O-ring (key 2) and install on lower head (key 9).
17. Remove tie bolts (key 3) from upper head (key 1).
18. Lift piston assembly (keys 5, 6, 7, 17, and 19) out from cylinder (key 4) and place on a flat surface.
19. Remove the wear ring (key 6) and quad seal (key 7) from the piston (key 5).
20. Thread locking compound is applied to the threads of the piston rod (key 17) by the manufacturer during initial assembly. As a result, disassembly will require heating to loosen the thread locking compound. To remove the piston rod O-ring (key 19), heat the piston assembly using a torch and unthread the piston rod (key 17) from the piston (key 5).
21. After the piston rod (key 17) has completely cooled, remove the piston rod O-ring (key 19). Clean the piston rod O-ring groove with a light degreaser. Lightly grease a new piston rod O-ring and install onto the piston rod.
22. Reinstall piston rod (key 17) onto piston (key 5) using thread locking compound.
23. Clean piston seal grooves. Install new lightly greased quad seal (key 7) onto piston (key 5).

24. Without grease, trim to length and then install a new wear ring (key 6).
25. Lift cylinder (key 4) vertically and place on a flat surface. Take extra precaution to avoid scratching or gouging the inner diameter of the cylinder.
26. Remove O-ring (key 2) from the upper head (key 1) and clean the seal groove. Install lightly greased new O-ring into upper head seal groove.
27. Install cylinder (key 4) onto upper head (key 1) making sure the O-ring (key 2) does not move out of its groove.
28. Carefully install the piston assembly (keys 5, 6, 7, 17, and 19) into cylinder (key 4) making sure all seals and O-rings stay in place on the outside diameter of the piston (key 5).
29. Install tie bolts (key 3) into upper head (key 1).
30. Carefully install the yoke (key 21) and the lower head (key 9) assembly onto cylinder (key 4) taking care not to damage threads on the tie bolts (key 3). Be sure the O-ring (key 2) is in place during this step.
31. Install lock washers (key 10) and tie rod hex nuts (key 11) onto tie bolts (key 4). Torque in a crisscross pattern according to table 2.

If the actuator has a handwheel manual override proceed to step 32, otherwise proceed directly to step 37.

32. Re-position the actuator so it is right-side up with the yoke (key 21) flat against the ground. Cloth or wood should be used to prevent against paint damage.
33. Remove the hex head cap screws (key 20) and lock washers (key 10) that secure the yoke (key 21) to the lower head (key 9).
34. Using the same lifting eyes as in the Actuator Removal section attach appropriate rigging gear and remove the cylinder assembly from the yoke (key 21). The rigging gear should allow the cylinder to be rotated freely. Rotate the cylinder assembly to screw the engage/disengage block (key 43) onto the piston rod (key 17) until the gap measured in step 3 is achieved.
35. Tighten the set screw (key 36) into the engage/disengage block (key 43).
36. Secure the cylinder assembly to the yoke using the hex head cap screws (key 20) and lock washers (key 10). Torque in a crisscross pattern according to table 8.
37. Refer to the Actuator Mounting section of this manual for instructions on mounting and installing the actuator onto a valve.

**Table 8. Tie Bolt Torque**

BOLT DIAMETER	TORQUE	
	N • m	lbf • ft
1/4-20	8	6
5/16-18	15	11
3/8-16	26	19
7/16-14	39	29
1/2-13	60	44
9/16-12	84	62
5/8-11	115	85
3/4-10	198	146
7/8-9	313	231
1-8	445	328
1-1/8-7	662	488

## Parts Ordering

When corresponding with your [Emerson Process Management sales office](#) about this equipment, refer to the serial numbers (there are two serial numbers located on the actuator) found on the actuator nameplate (key 22). Also, specify the complete 11-character part number from the following Parts List when ordering replacement parts.

### **⚠ WARNING**

**Use only genuine Fisher replacement parts. Components that are not supplied by Emerson Process Management should not, under any circumstances, be used in any Fisher valve, because they may void your warranty, might adversely affect the performance of the valve, and could cause personal injury and property damage.**

## Parts Kits

Includes all soft seals and O-rings required for seal and O-ring replacement in standard operating temperature constructions. Refer to figures 2 and 3.

KIT CONTENTS	ACTUATOR SIZE	PART NUMBER		
		Standard Temperature	Low Temperature	High Temperature
Piston Rod Wiper Seal, key 15 Bearing O-ring, Key 13 Bearing Quad Seal, Key 12 Piston Rod O-ring, Key 19 Piston Wear Ring, Key 6 Piston Quad Seal, Key 7 Upper/Lower Head O-ring, Key 2 Upper/Lower Head O-ring, Key 2	12	R685X000012	R685X000092	R685X000172
	14	R685X000022	R685X000102	R685X000182
	16	R685X000032	R685X000112	R685X000192
	18	R685X000042	R685X000122	R685X000202
	20	R685X000052	R685X000132	R685X000212
	22	R685X000062	R685X000142	R685X000222
	24	R685X000072	R685X000152	R685X000232
	26	R685X000082	R685X000162	R685X000242

## Parts List

### Note

For part numbers not shown, contact your [Emerson Process Management sales office](#).

## Common Parts (figures 2 and 3)

Key	Description	
1	Upper Head	
2*	Upper/Lower Head O-ring	see parts kit
3	Tie Bolt	
4	Cylinder	
5	Piston	
6*	Piston Wear Ring	see parts kit
7*	Piston Quad Seal	see parts kit
9	Lower Head	
10	Lock Washer	
11	Tie Bolt Hex Nut	
12*	Bearing Quad Seal	see parts kit
13*	Bearing O-ring	see parts kit
14	Bearing	
15*	Piston Rod Wiper Seal	see parts kit
16	Bearing Retaining Ring	
17	Piston Rod	
18	Stem Connector	
19*	Piston Rod O-ring	see parts kit
20	Hex Head Cap Screw	
21	Yoke	
22	Travel Scale	
57	Stem Connector Hex Nut	
58	Stem Connector Stud	
100	Multi-purpose Grease, MPG-2 or approved equivalent	

## Manual Handwheel Parts (figure 2)

Key	Description
24	ACME Thrust Shaft
25	Override Guide Shaft
26	Worm Gear
27	Thrust Shaft Upper Bushing
28	Thrust Shaft Bushing
29	Thrust Bearing
30	Thrust Guide Block
31	Engage Pin Guide
32	Guide Block Engage Screw
33	Engage Pin Control Knob
34	Engage Spring Pin
35	Socket Head Cap Screw
36	Socket Set Screw
37	Key
38	Override Engage Pin
39	Position Indicator
40	All Thread Stud
41	Flat Washer
42	Yoke Adaption Bracket
43	Engage/Disengage Block
44	Stem Connector Stud
45	Handwheel
46	Helix Housing Cap O-ring
47	Helix Gear Shaft Bushing
48	Helix Gear Bushing
49	Helix Worm Gear Housing
50	Helix Worm Gear
51	Helix Gear Shaft Spacer
52	Helix Shaft Wiper Seal
53	Helix Worm Gear Shaft
54	Helix Gear Housing Cap
55	Ext. Tooth Lock Washer
56	Pointer

Figure 2. Fisher 685 with Manual Handwheel

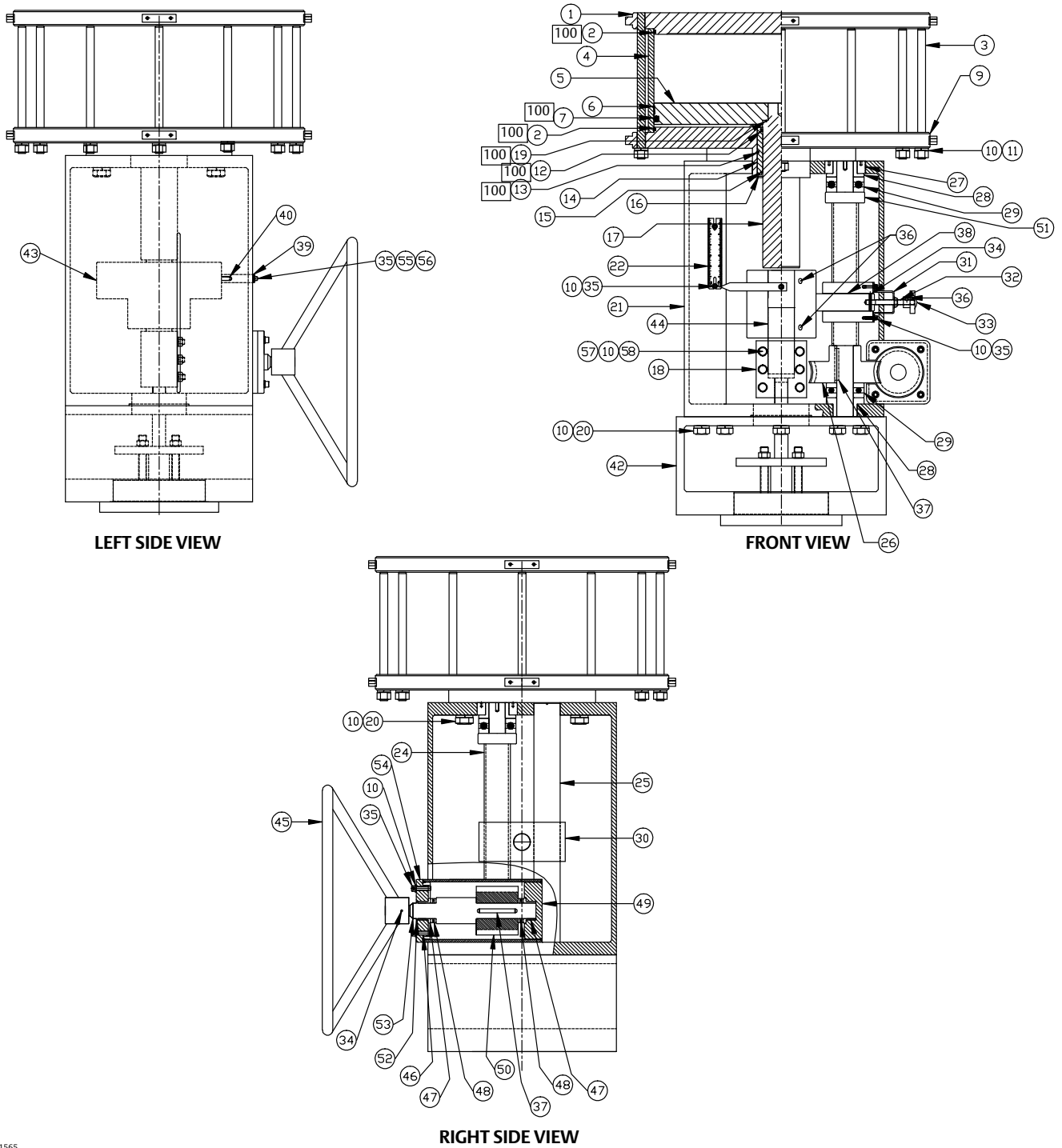
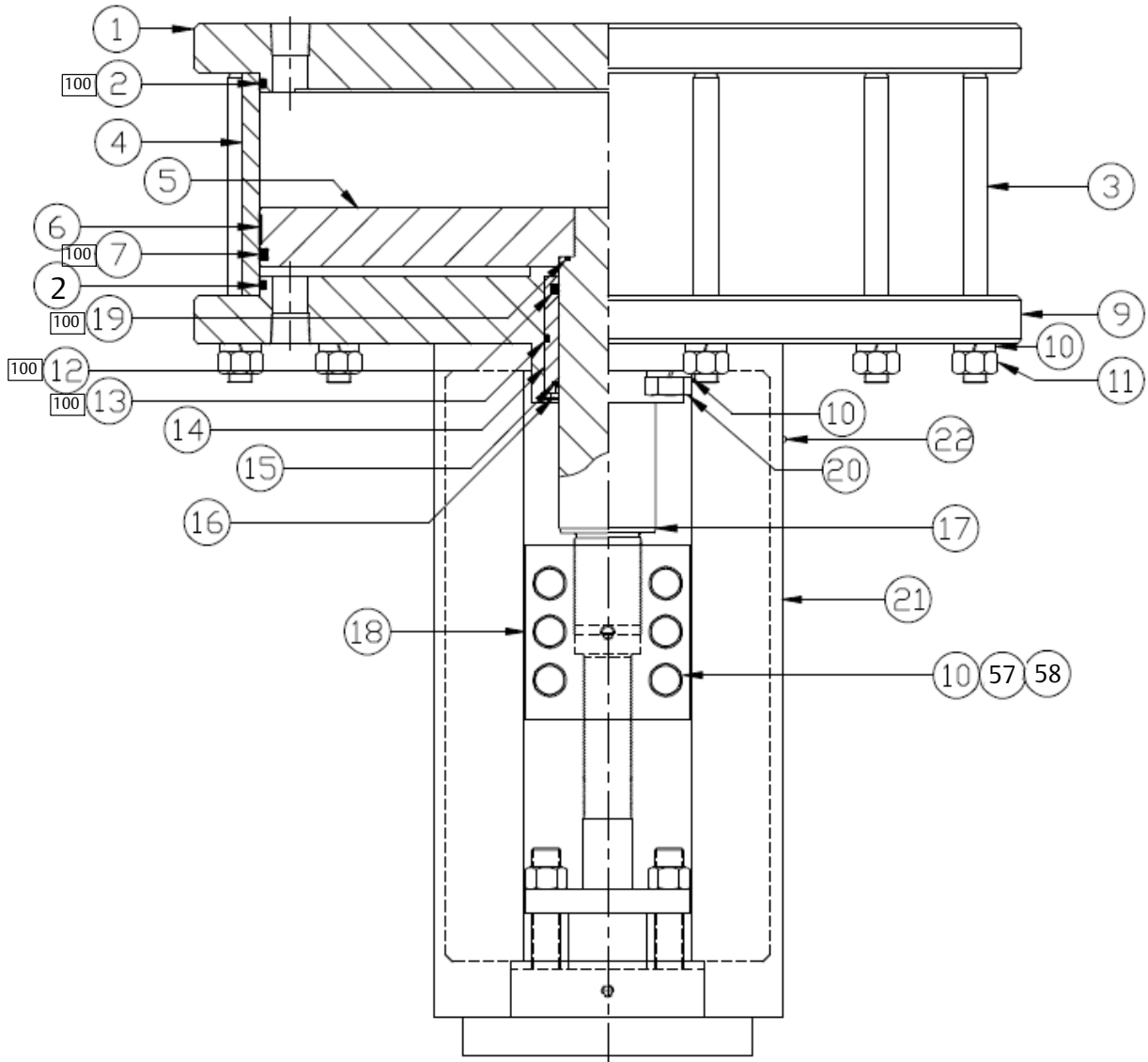


Figure 3. Fisher 685 without Manual Handwheel



E1566



Authorized Representative:

LLC "MinPromTest" 105066, Moscow, street Novoryazanskaya, 26, building 1, Russia

Refer to product nameplate for production year of manufacture.



Neither Emerson, Emerson Process Management, nor any of their affiliated entities assumes responsibility for the selection, use or maintenance of any product. Responsibility for proper selection, use, and maintenance of any product remains solely with the purchaser and end user.

Fisher, easy-e, and FIELDVUE are marks owned by one of the companies in the Emerson Process Management business unit of Emerson Electric Co. Emerson Process Management, Emerson, and the Emerson logo are trademarks and service marks of Emerson Electric Co. All other marks are the property of their respective owners.

The contents of this publication are presented for informational purposes only, and while every effort has been made to ensure their accuracy, they are not to be construed as warranties or guarantees, express or implied, regarding the products or services described herein or their use or applicability. All sales are governed by our terms and conditions, which are available upon request. We reserve the right to modify or improve the designs or specifications of such products at any time without notice.

Emerson Process Management  
Marshalltown, Iowa 50158 USA  
Sorocaba, 18087 Brazil  
Chatham, Kent ME4 4QZ UK  
Dubai, United Arab Emirates  
Singapore 128461 Singapore

[www.Fisher.com](http://www.Fisher.com)