

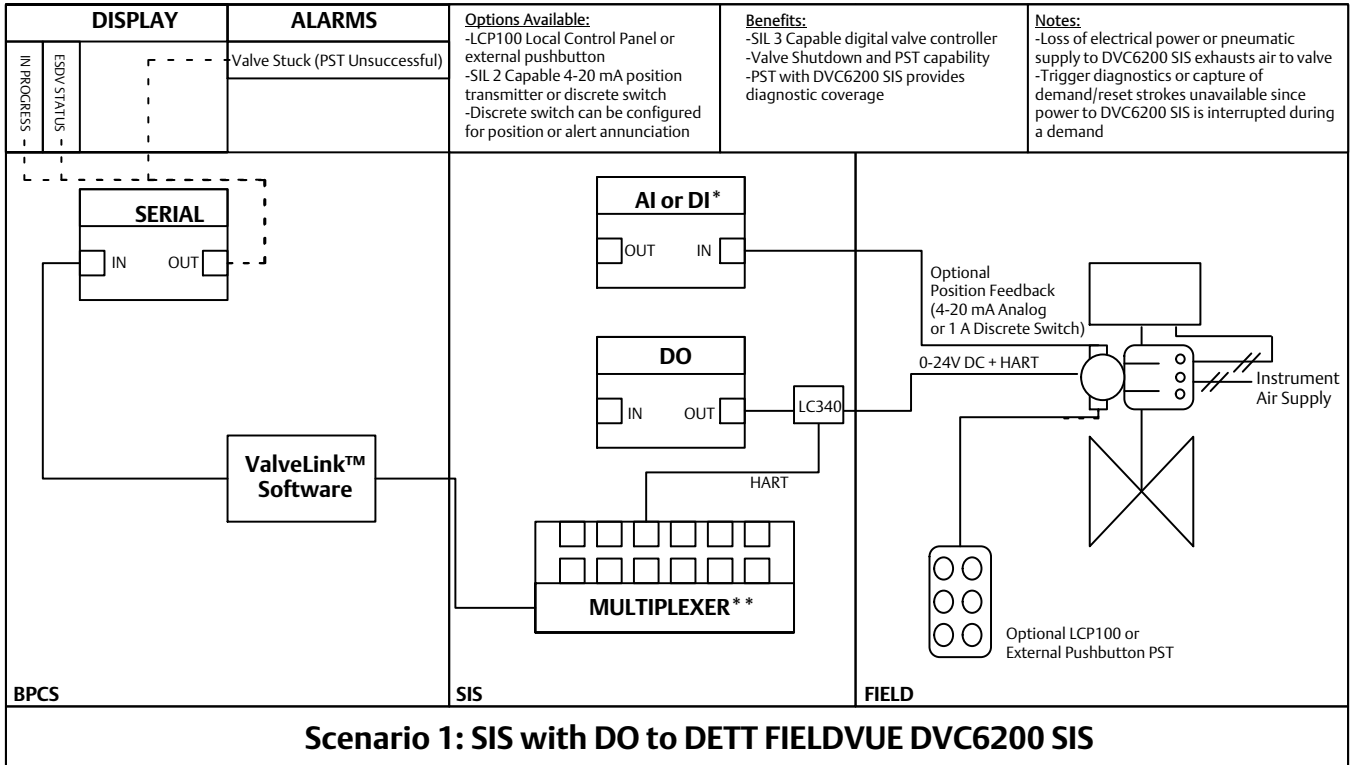
Control Schematics for FIELDVUE™ DVC6200 SIS Digital Valve Controller

The below drawings are guidelines ONLY, and should be modified/changed for site specific conditions. The guidelines are not specific to individual user needs, applications, process conditions, environmental conditions, or safe state functions and should be finalized in consultation with your local business partner before implementation. References to the make and model number of specified third party vendor products is not to be construed as an endorsement from Emerson Automation Solutions—Fisher Controls International LLC.

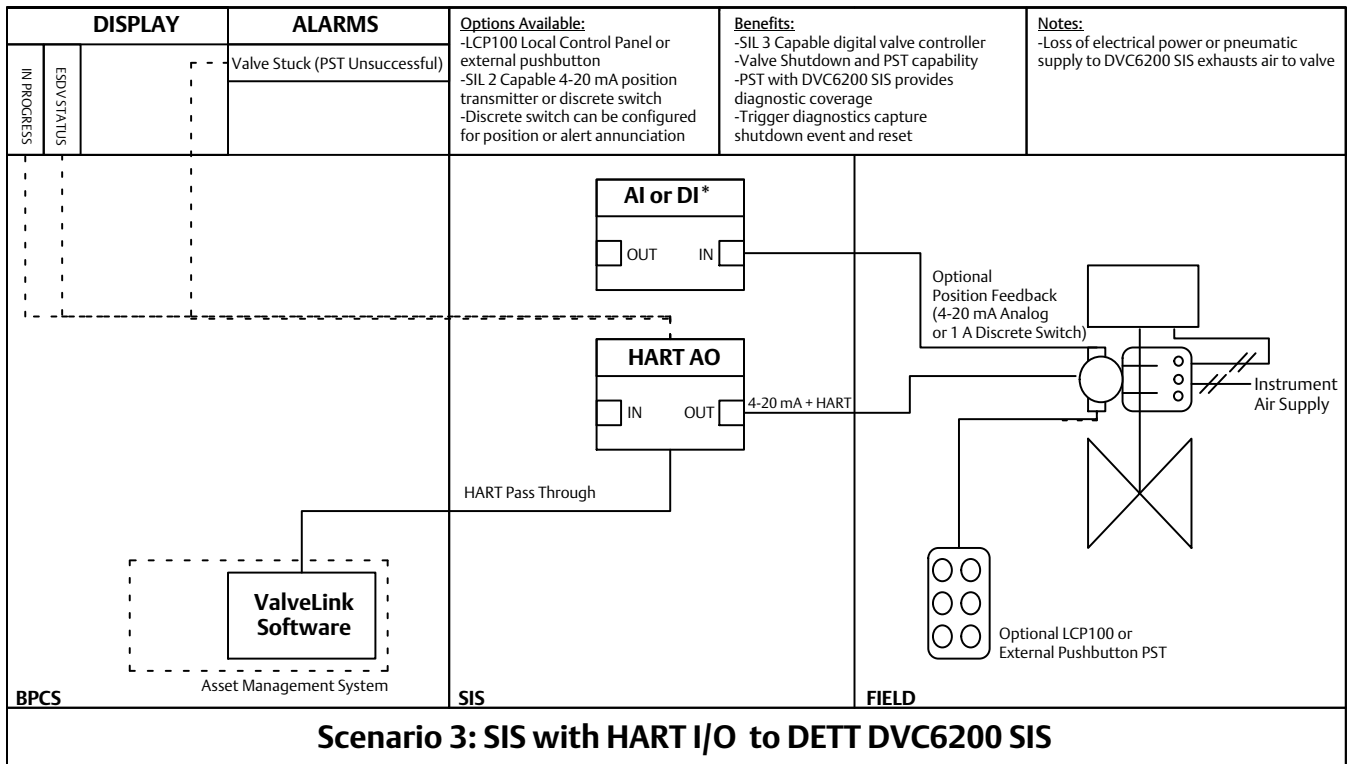
For clarification or consultation, please contact your [Emerson sales office](#) or Local Business Partner who will consult Fisher Global Industry Sales.

The attached schematics provide examples of a DVC6200 SIS in different modes (point-to-point mode or multi-drop mode). The DVC6200 SIS can operate through a command signal from either a DCS (basic process control system, BPCS) or logic solver (safety instrumented system, SIS). These are basic schematics that have been developed to provide details of the connections between the control system and user interface. Drawings indicated as “PST Only” depict the use of a DVC6200 SIS with a reverse acting relay (relay B).

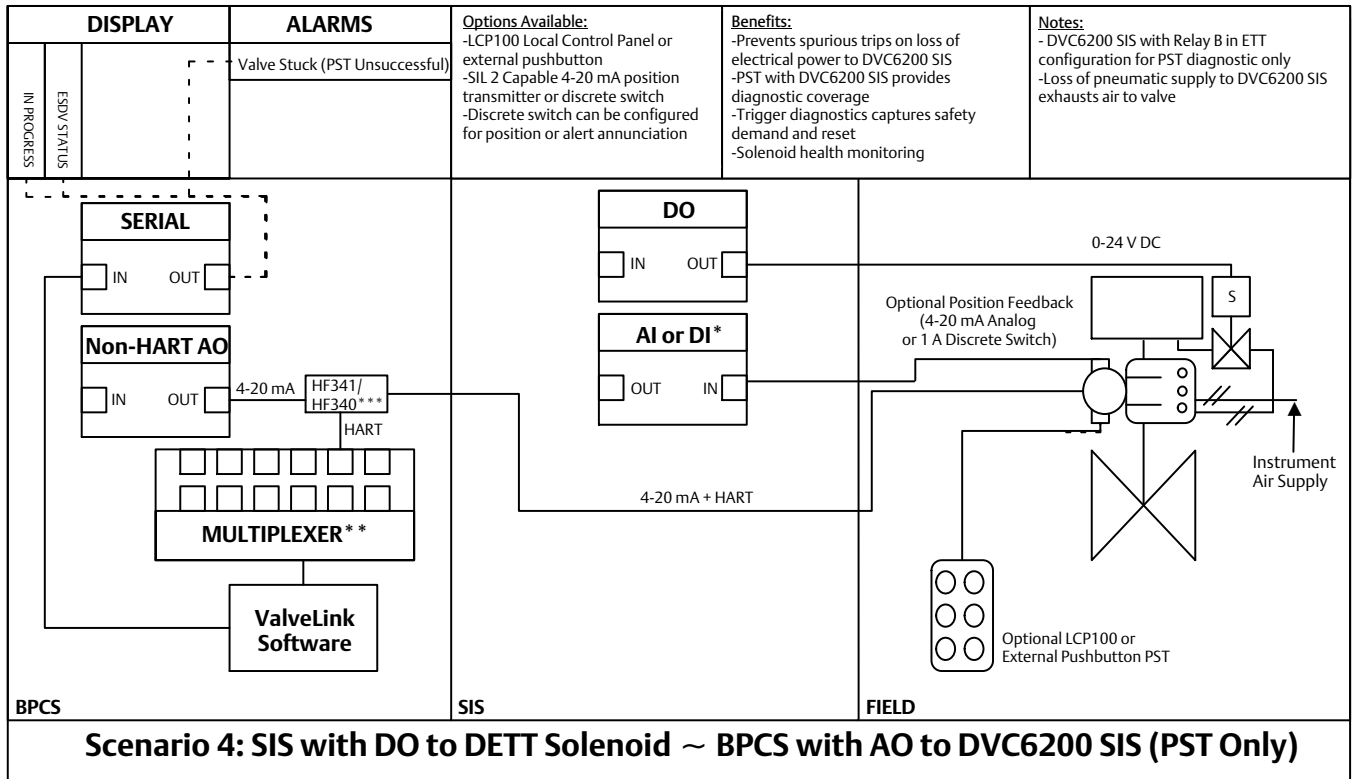
These drawings are for reference ONLY and it may be possible to have many different combinations or permutations of such schematics.



Example Drawing Only, may require modifications to meet site specific requirements
 *Position Monitor AI or DI may reside in SIS or BPCS
 **PC with ValveLink software or 475 Field Communicator can be used in lieu of multiplexer



Example Drawing Only, may require modifications to meet site specific requirements
*Position Monitor AI or DI may reside in SIS or BPCS

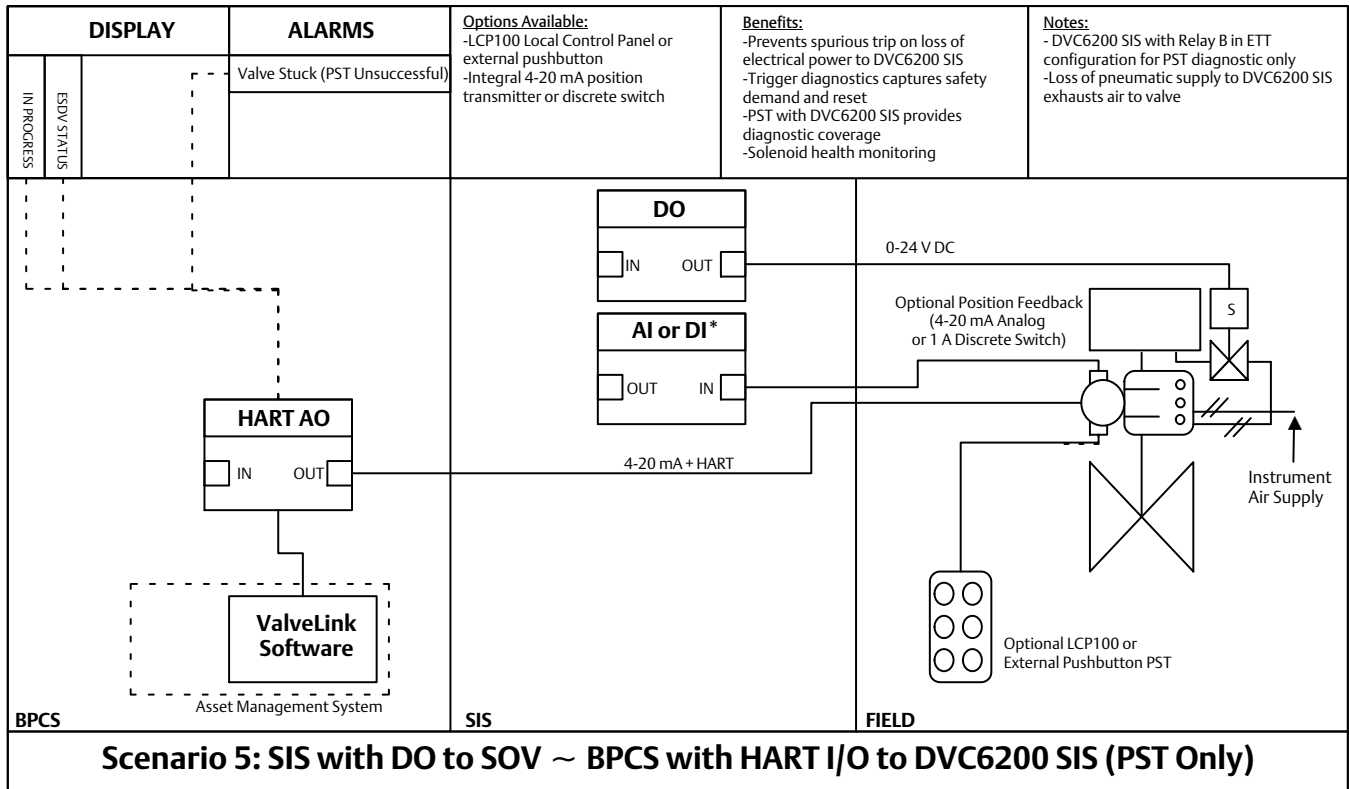


Example Drawing Only, may require modifications to meet site specific requirements

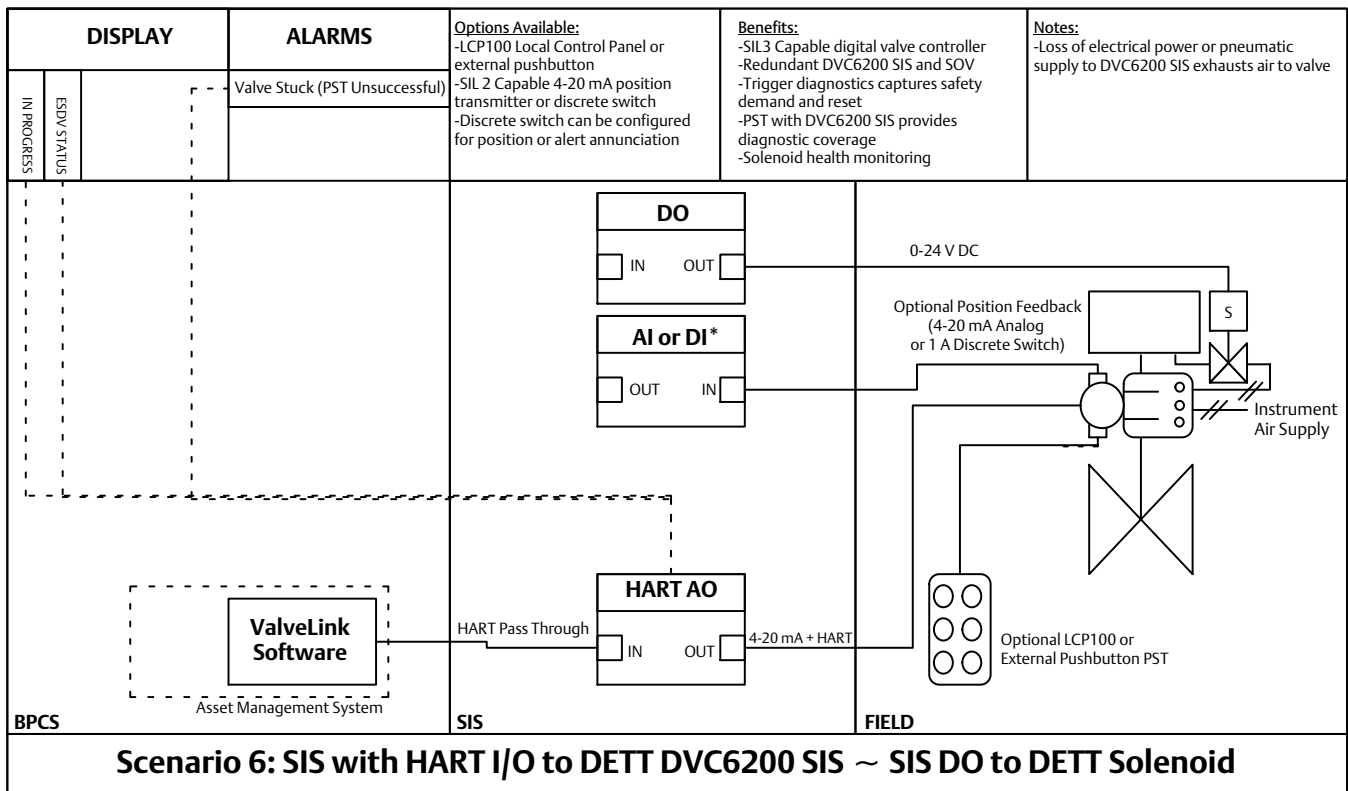
*Position Monitor AI or DI may reside in SIS or BPCS

**PC with ValveLink software or 475 Field Communicator can be used in lieu of multiplexer

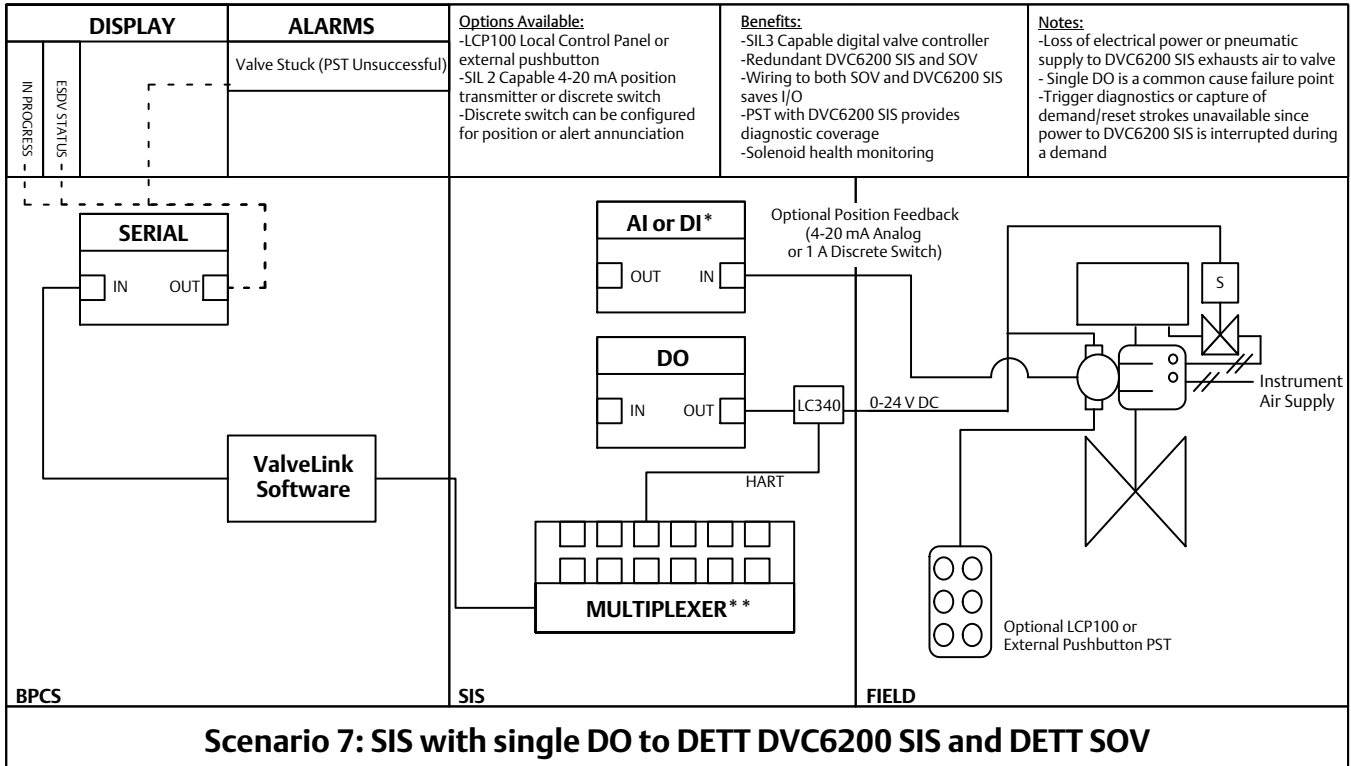
***HF341/HF340 may be required with legacy hosts to provide proper impedance to support HART communication



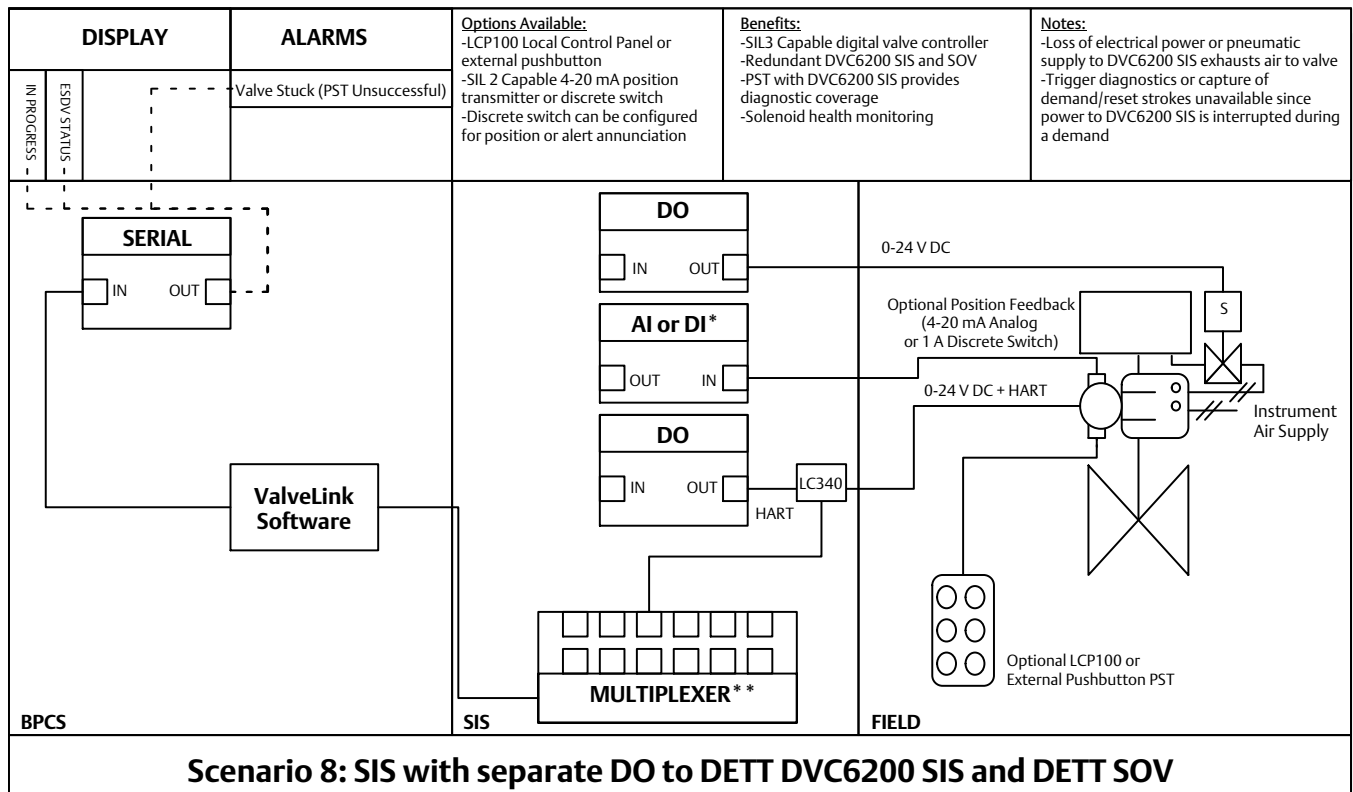
Example Drawing Only, may require modifications to meet site specific requirements
*Position Monitor AI or DI may reside in SIS or BPCS



Example Drawing Only, may require modifications to meet site specific requirements
 *Position Monitor AI or DI may reside in SIS or BPCS



Example Drawing Only, may require modifications to meet site specific requirements
 *Position Monitor AI or DI may reside in SIS or BPCS
 **PC with ValveLink software or 475 Field Communicator can be used in lieu of multiplexer



Scenario 8: SIS with separate DO to DETT DVC6200 SIS and DETT SOV

Example Drawing Only, may require modifications to meet site specific requirements
 *Position Monitor AI or DI may reside in SIS or BPCS
 **PC with ValveLink Software or 475 Field Communicator can be used in lieu of multiplexer

Neither Emerson, Emerson Process Management, nor any of their affiliated entities assumes responsibility for the selection, use or maintenance of any product. Responsibility for proper selection, use, and maintenance of any product remains solely with the purchaser and end user.

Fisher, FIELDVUE, and ValveLink are marks owned by one of the companies in the Emerson Automation Solutions business unit of Emerson Electric Co. Emerson Automation Solutions, Emerson, and the Emerson logo are trademarks and service marks of Emerson Electric Co. HART is a registered trademark of FieldComm Group. All other marks are the property of their respective owners.

The contents of this publication are presented for informational purposes only, and while every effort has been made to ensure their accuracy, they are not to be construed as warranties or guarantees, express or implied, regarding the products or services described herein or their use or applicability. All sales are governed by our terms and conditions, which are available upon request. We reserve the right to modify or improve the designs or specifications of such products at any time without notice.

Emerson Automation Solutions
Marshalltown, Iowa 50158 USA
Sorocaba, 18087 Brazil
Cernay, 68700 France
Dubai, United Arab Emirates
Singapore 128461 Singapore

www.Fisher.com

