

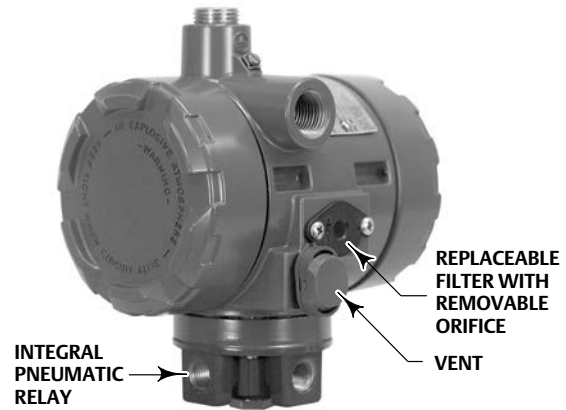
Fisher® i2P-100 Electro-Pneumatic Transducer

The Fisher i2P-100 electro-pneumatic transducer, uses a converter module that converts a milliamper input to a proportional pressure output. Both the current input and pressure output range are user-configurable in the field. The converter module uses small parts of minimum mass, which are balanced symmetrically around a pivot point at the center of the mass. This balanced arrangement results in a high performance instrument that reduces sensitivity to vibration.

An integral pneumatic relay provides the high capacity necessary to drive pneumatic control valve/actuator assemblies without additional boosters or positioners. The transducer also provides stable, accurate operation when its output is transmitted to small volume chambers, such as a pneumatic positioner or other pneumatic instrument. Reduced sensitivity to vibration, combined with high capacity and first order lag characteristics, make the i2P-100 transducer suitable for direct mounting on control valve/actuator combinations.

Features

- **Approved for use with Natural Gas**—The i2P-100 is approved for use with natural gas as the pneumatic supply.
- **Low Pneumatic Supply Consumption**—The transducer has low pneumatic supply consumption which lowers operating costs. Maximum steady state consumption is less than the 6 SCFH requirement set for the oil and gas industry by the US Environmental Protection Agency (New Source Performance Standards Subpart OOOO, EPA-HQ-QAR-2010-0505).
- **Single Sealed Device**— The i2P-100 has been tested in accordance with ANSI/ISA Standard 12.27.01 (Requirements for Process Sealing Between Electrical Systems and Flammable or Combustible Process Fluids) as a single sealed device.



W8710

- **High Output Capability and Rangeability**— The integral output relay volume of the transducer is adequate to drive valve/actuator combinations without requiring a positioner or volume booster. Selectable user field-configurable dip switch setting for output range of 0.14 to 2.3 bar (2 to 33 psi).
- **Split Range**—Selectable user field-configurable two-way split range, using either half of the standard input signal.
- **Corrosion Resistant**—Separate housing compartments isolate the electronics from the pneumatic process. The electronics module is encased in a rugged plastic shell which helps to prevent damage to the electronics. The printed wiring board and dip switches are conformal coated to help prevent corrosion. Converter module coils have corrosion resistant coating and all flexures are gold plated to provide protection from hostile environments.
- **Tolerant of Dirty Supply Medium**—Free-flow pilot stage design and large internal air passages provide excellent tolerance to dirty pneumatic supply, by reducing the effects of contaminant buildup and erosion. The removable primary orifice and replaceable 5 micrometer filter are easy to remove for service and maintenance.



Figure 1. Fisher i2P-100 Electro-Pneumatic Transducer Mounted on a Rotary Actuator



W8693-1

Figure 2. Fisher i2P-100 Electro-Pneumatic Transducer Mounted on a Sliding-Stem Actuator



W8723-1

- **Easy Maintenance**—Modular electronics and converter modules contained in separate housing compartments, isolating the electronics from the process, allow for easy replacement in the field for reduced maintenance time and costs.
- **Vibration Resistance**—The transducer, used in a standard valve/actuator mounted application, exhibits an output shift of less than 1 percent of span when tested to ISA S75.13.

Valve Stroking Time

Figure 3 shows relative times for loading and exhausting an actuator. Stroking time depends upon the size of the actuator, travel, relay characteristics and the magnitude and rate of change of the input signal. If stroking time is critical, contact your Emerson Process Management sales office.

Table of Contents

Features	1
Valve Stroking Time	2
Specifications	3
Energy Responsible Tool	4
Installation	6
Ordering Information	6

Specifications

Input Signal

Available as standard with 4-20 mA.
User configurable by dip switch for split ranging, see table below.

Output Signal

Available as standard 0.2 to 1.0 bar (3 to 15 psig), 0.4 to 2.0 bar (6 to 30 psig), or 0.14 to 2.3 bar (2 to 33 psig). User configurable by dip switch selection and zero and span potentiometer adjustment, see table below.

INPUT SIGNAL	OUTPUT PRESSURE	
	Bar	Psig
4 to 20 mA DC	0.2 to 1.0	3 to 15
	0.4 to 2.0	6 to 30
	0.14 to 2.3	2 to 33
4 to 12 mA DC	0.2 to 1.0	3 to 15
12 to 20 mA DC	0.2 to 1.0	3 to 15

Equivalent Circuit

The i2P-100 equivalent circuit is a series circuit consisting of a constant voltage drop (battery) of approximately 4 VDC and a total resistance of 40 ohms. Input is shunted by two 6.8 V zener diodes (see figure 4).

Supply Pressure⁽¹⁾

Recommended: 0.34 bar (5 psi) higher than upper range limit of output signal

Maximum: 3.4 bar (50 psig)

Medium: Air or Natural Gas

Maximum Steady-State Flow Rate⁽²⁾⁽³⁾

Refer to tables 2 and 3

Maximum Output Air Capacity⁽³⁾

8.04 m³/hr (300 scfh) at 1.4 bar (20 psig) supply pressure

Performance⁽⁴⁾

Reference Accuracy: $\pm 1.0\%$ of full scale output span; includes combined effects of hysteresis, linearity, and deadband

Independent Linearity: $\pm 0.5\%$ of full scale output span

Hysteresis: 0.4% of full scale output span

Frequency Response: Gain is attenuated 3 dB at 3 Hz with transducer output signal piped to a typical instrument input

Temperature Effect: $\pm 0.14\%$ per degrees Celsius (± 0.075 per degrees Fahrenheit) of span

Supply Pressure Effect: 0.2% of full scale output span per psi supply pressure change

Vibration Effect: Less than 1% of full scale output span when tested to ISA S75.13

Electromagnetic Compatibility

Meets EN 61326-1 (First Edition)

Immunity—Industrial locations per Table 2 of EN 61326-1 Standard. Performance is shown in table 1 below.

Emissions—Class A

ISM equipment rating: Group 1, Class A

Operating Ambient Temperature Limits⁽¹⁾

-40 to 85°C (-40 to +185°F)

Electrical Seal

Single sealed device per ANSI/ISA 12.27.01

Electrical Classification

Hazardous Area:

CSA — Intrinsically Safe, Explosion proof, Type n, Dust-Ignition proof

FM— Intrinsically Safe, Explosion proof, Type n, Non-incendive, Dust-Ignition proof

ATEX— Intrinsically Safe, Flameproof, Type n

IECEX— Intrinsically Safe, Flameproof, Type n

Refer to tables 4, 5, 6, and 7 for specific approval information.

Electrical Housing:

When Remotely Vented

CSA—Type 4X Encl.

FM— NEMA 4X

ATEX—IP66

IECEX—IP66

No Remote Venting

CSA—Type 3 Encl.

FM— NEMA 3

ATEX—IP64

IECEX—IP64

-continued-

Specifications (continued)

Other Classifications/Certifications

GOST-R—Russian GOST-R

INMETRO— National Institute of Metrology, Quality, and Technology (Brazil)

KGS—Korea Gas Safety Corporation (South Korea)

NEPSI— National Supervision and Inspection Centre for Explosion Protection and Safety of Instrumentation (China)

RTN—Russian Rostekhnadzor

Contact your Emerson Process Management sales office for classification/certification specific information

Construction Materials

Housing: ■ Low-Copper aluminum with polyurethane paint

O-rings: Nitrile

Diaphragms: Nitrile

Adjustments⁽⁵⁾

Zero and Span: Trim potentiometers (20 turn) for zero and span adjustments are located under the housing cap.

Switch: Allows input signal split range and user-configurable 0.14 to 2.3 bar (2 to 33 psig) output.

Connections

Supply and Output Pressure: 1/4 NPT internal connection

Vent: 1/4 NPT internal

Electrical: ■ Standard 1/2 NPT

Wire Size: 18 to 22 AWG

Mounting Position

■ Actuator ■ pipestand or ■ surface

Approximate Weight

2.5 kg (5.5 lbs)

Options

■ Output pressure gauge ■ M20 or PG13 conduit adapter

NOTE: Specialized instrument terms are defined in ANSI/ISA Standard 51.1 - Process Instrument Terminology

1. The pressure and temperature limits in this document and any applicable standard or code limitation should not be exceeded.

2. Average flow rate determined at 12 mA and 0.6 bar (9 psig) output.

3. Normal m³/hour—Normal cubic meters per hour (0°C and 1.01325 bar, absolute), Scfh—Standard cubic feet per hour (60°F and 14.7 psig).

4. Performance values are obtained using a transducer with a 4 to 20 mA DC input signal and a 0.2 to 1.0 bar (3 to 15 psig) output signal at an ambient temperature of 24°C (75°F).

5. For other ranges, zero and span adjustments needed.

Energy Responsible Tool

The web based Energy Responsible Tool provides calculations for estimating operating costs and emissions for instrument air and natural gas in tonnes of Equivalent Carbon Dioxide (Co2e).

Scan or click the QR code to calculate pneumatic energy savings.

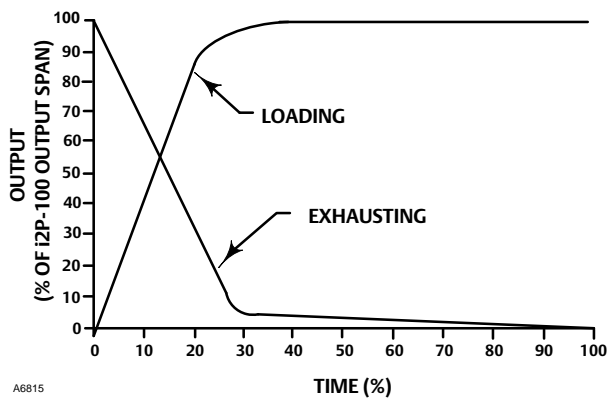


Table 1. EMC Summary Results—Immunity

Port	Phenomenon	Basic Standard	Test Level	Performance Criteria ⁽¹⁾
Enclosure	Electrostatic discharge (ESD)	IEC 61000-4-2	4kV Contact 8kV Air	A
	Radiated EM field	IEC 61000-4-3	80 to 1000 MHz @ 10V/m with 1 kHz AM at 80% 1400 to 2000 MHz @ 3V/m with 1 kHz AM at 80% 2000 to 2700 MHz @ 1V/m with 1 kHz AM at 80%	A
I/O signal/control	Burst (fast transients)	IEC 61000-4-4	1 kV	A
	Surge	IEC 61000-4-5	1 kV (line to ground only, each)	A
	Conducted RF	IEC 61000-4-6	150 kHz to 80 MHz at 3 Vrms	A

Specification limit = ±1% of span
1. A=No degradation during testing. B = Temporary degradation during testing, but is self-recovering.

Figure 3. Output-Time Relationships



A6815

Figure 4. Equivalent Circuit

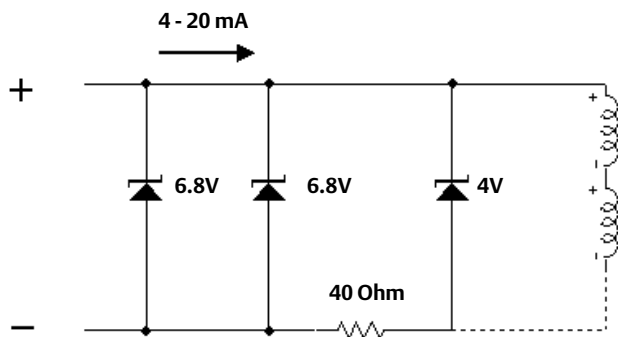


Table 2. Maximum Steady-State Flow Rate (Air)

SUPPLY PRESSURE		OUTPUT PRESSURE		STEADY STATE FLOW RATE ⁽¹⁾	
Bar	Psi	Bar	Psi	m ³ /hr	Scfh
1.4	20	0.2 - 1.0	3 - 15		
		0.2	3	0.04	1.5
		0.62	9	0.06	2.0
		1.0	15	0.07	2.6
2.4	35	0.4 - 2.0	6 - 30		
		0.4	6	0.05	1.7
		1.2	18	0.08	2.9
		2	30	0.12	4.1
2.6	38	0.1 - 2.3	2 - 33		
		0.1	2	0.04	1.5
		1.2	17.5	0.08	2.9
		2.3	33	0.12	4.3

1. Normal m³/hour - Normal cubic meters per hour (0C and 1.0135 bar, absolute).
Scfh - Standard cubic feet per hour (60F and 14.7psig).

Table 3. Maximum Steady-State Flow Rate (Natural Gas)

SUPPLY PRESSURE		OUTPUT PRESSURE		STEADY STATE FLOW RATE ^(1,2)	
Bar	Psi	Bar	Psi	m ³ /hr	Scfh
1.4	20	0.2 - 1.0	3 - 15		
		0.2	3	0.06	1.95
		0.62	9	0.07	2.6
		1.0	15	0.1	3.38
2.4	35	0.4 - 2.0	6 - 30		
		0.4	6	0.6	2.21
		1.2	18	0.11	3.77
		2	30	0.15	5.33
2.6	38	0.1 - 2.3	2 - 33		
		0.1	2	0.06	1.94
		1.2	17.5	0.11	3.74
		2.3	33	0.18	5.55

1. Normal m³/hour - Normal cubic meters per hour (0C and 1.0135 bar, absolute).
Scfh - Standard cubic feet per hour (60F and 14.7psig).
2. Natural gas steady state flow based on natural gas specific gravity of 0.6. Flow decreases as specific gravity increases.

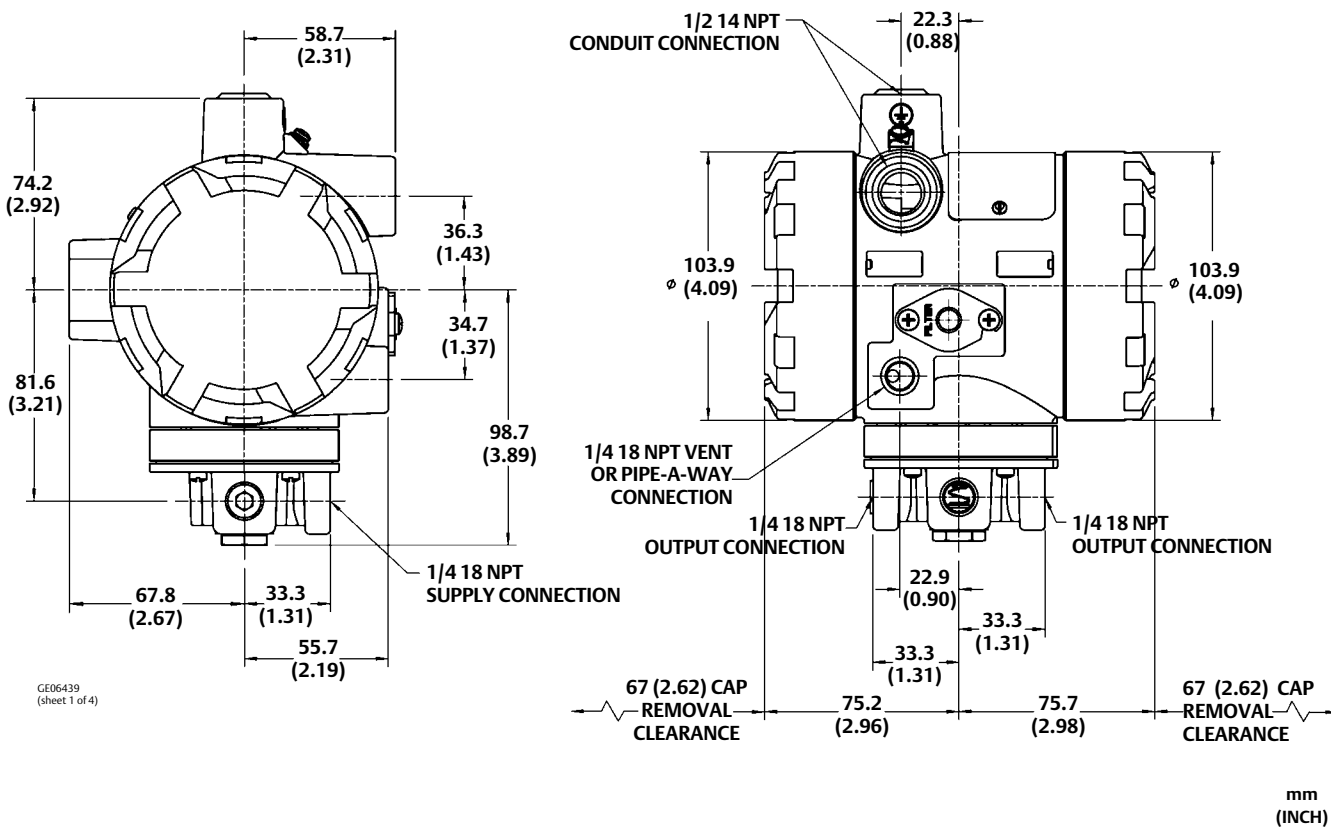
Installation

Refer to figure 5 for location of standard mounting holes in the housing. See figures 1 and 2 for typical mounting configurations. Standard mounting hardware is provided for mounting on the actuator, a pipestand, or surface mount. Field wiring connections are made to the terminal block accessible under the housing cap, via the 1/2 NPT conduit connection. Dimensions are shown in figures 5, 6, 7, and 8.

Ordering Information

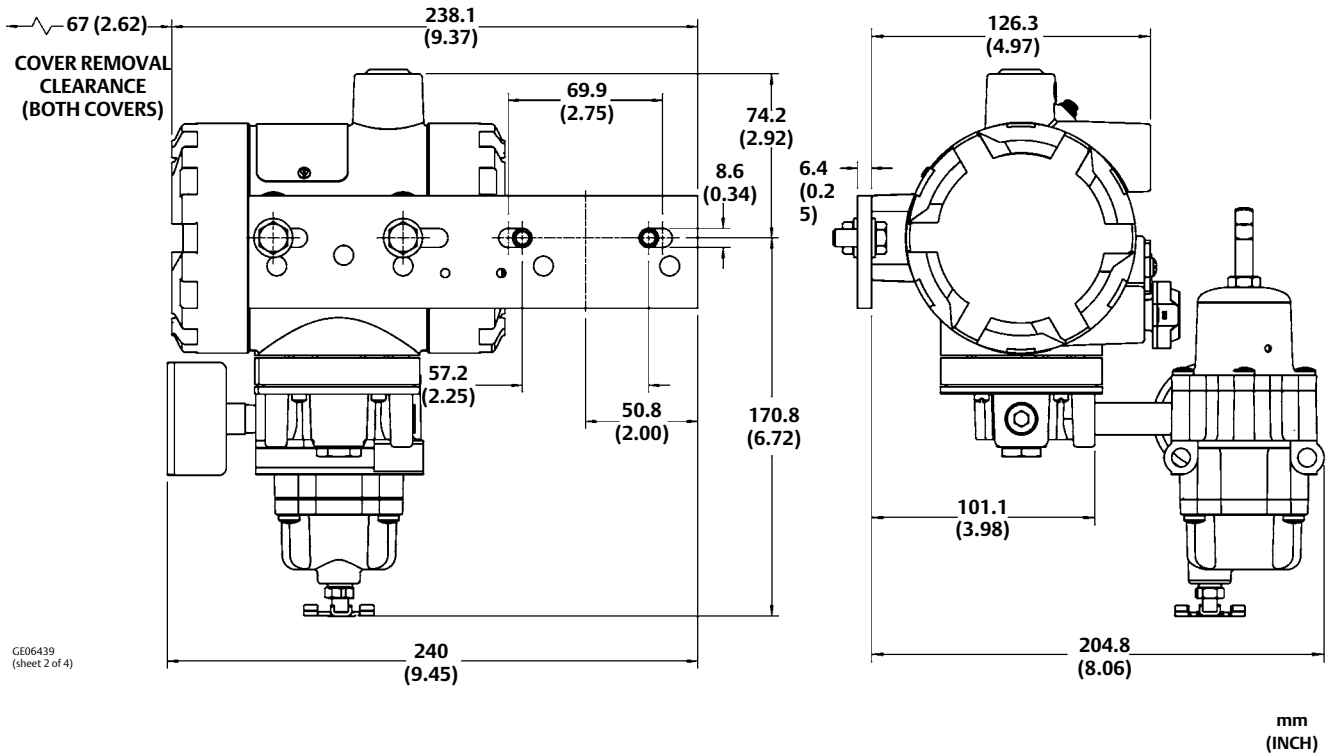
To determine what ordering information is required, refer to the Specifications table. Carefully review the description of each specification. Specify the desired choice whenever there is a selection available. Also, specify options that are applicable to the application.

Figure 5. Dimensions



GE06439
(Sheet 1 of 4)

Figure 6. Dimensions with Optional Fisher 67 Filter-Regulator (Yoke/Bracket Mounted)



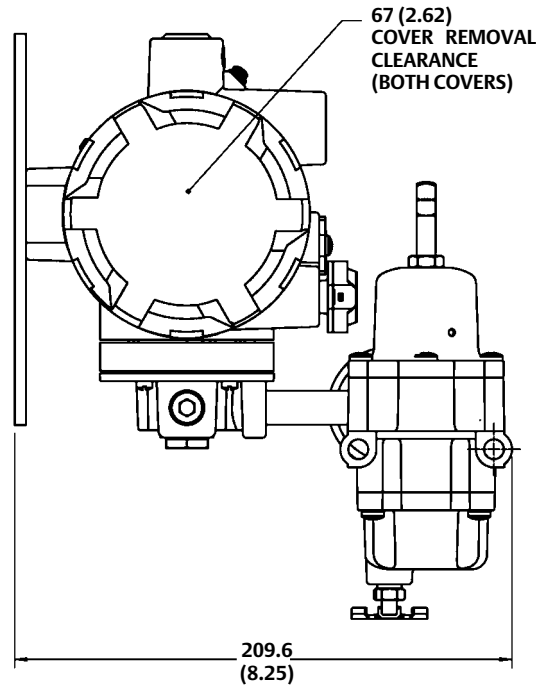
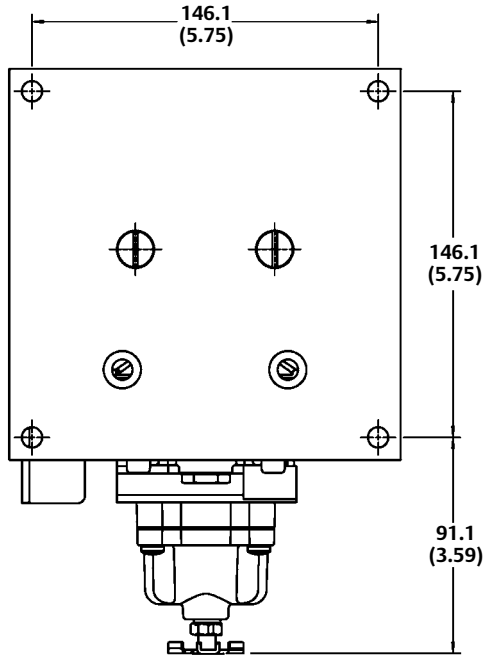
GE06439
(sheet 2 of 4)

Product Bulletin

62.1:i2P-100
July 2014

i2P-100 Transducer
D103197X012

Figure 7. Dimensions with Optional Fisher 67 Filter-Regulator (Surface/Wall Mounted)



mm
(INCH)

CE06439
(sheet 3 of 4)

Figure 8. Dimensions with Optional Fisher 67 Filter-Regulator (Pipestand Mounted)

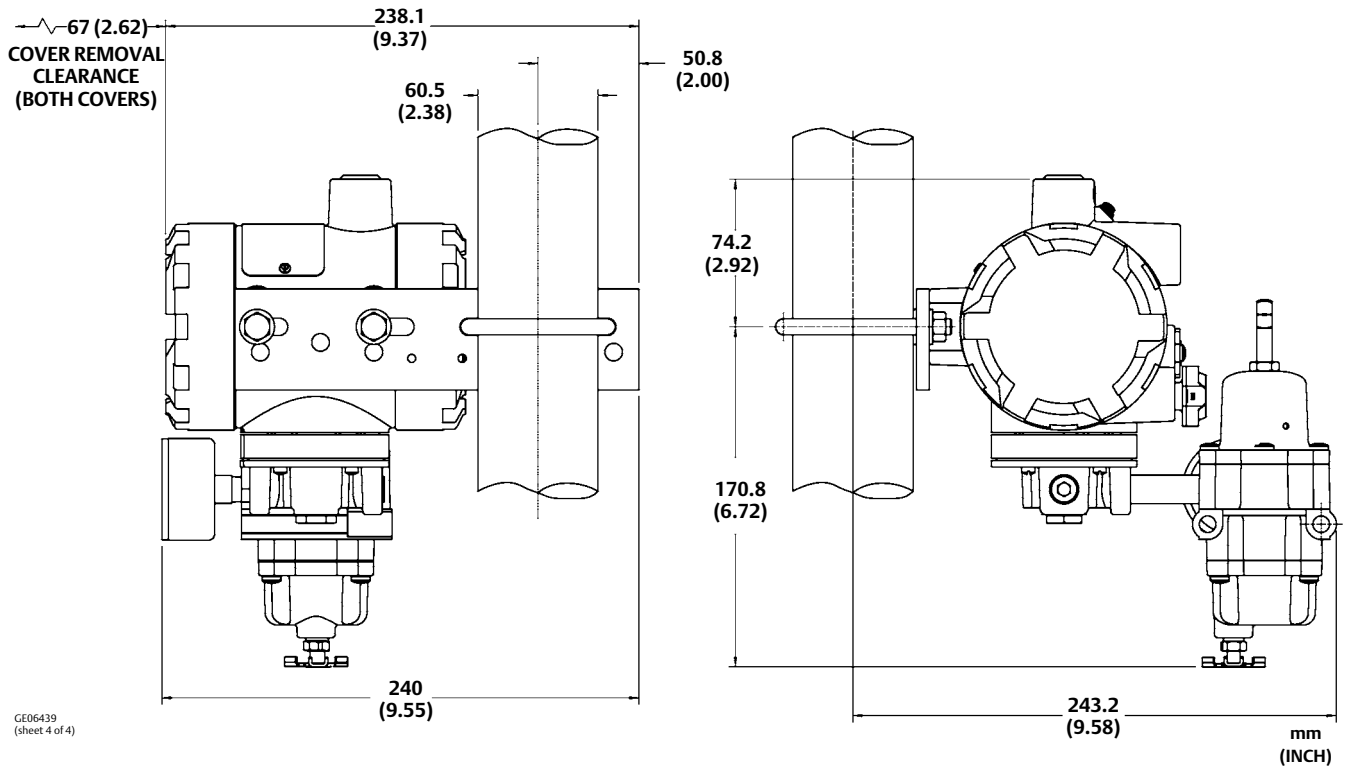


Table 4. Hazardous Area Classifications—CSA (Canada)

Certification Body	Certification Obtained	Entity Rating	Temperature Code	Enclosure Rating
CSA	Intrinsically Safe Ex ia IIC T3/T4/T5 per drawing GE07471 Ex ia Intrinsically Safe Class I, II, III Division 1 GP A,B,C,D,E,F,G per drawing GE07471	Vmax = 30 VDC Imax = 100 mA Pi = 1.0 W Ci = 0 uF Li = 0 uH	T3 (Tamb ≤ 85°C) T4 (Tamb ≤ 81°C) T5 (Tamb ≤ 46°C)	CSA Type 4X Encl. *
	Explosion Proof Ex d IIC T5/T6 Class I, Division 1 GP, A,B,C,D T5	---	T5 (Tamb ≤ 85°C) T6 (Tamb ≤ 75°C)	CSA Type 4X Encl. *
	Type n Ex nC IIC T5/T6	---	T5 (Tamb ≤ 85°C) T6 (Tamb ≤ 75°C)	CSA Type 4X Encl. *
	Class I, Division 2, GP A,B,C,D T5 Class II, Division 1 GP E,F,G T5 Class II, Division 2, GP F,G T5 Class III	---	T5 (Tamb ≤ 85°C)	CSA Type 4X Encl. *

*When remotely vented.

Table 5. Hazardous Area Classifications—FM (United States)

Certification Body	Certification Obtained	Entity Rating	Temperature Code	Enclosure Rating
FM	IS Intrinsically Safe Class I, II, III Division 1 GP A,B,C,D,E,F,G per drawing GE07470 Class I Zone 0 AEx ia IIC T3/T4/T5 per drawing GE07470	Vmax = 30 VDC Imax = 100 mA Pi = 1.0 W Ci = 0 uF Li = 0 uH	T3 (Tamb ≤ 85°C) T4 (Tamb ≤ 81°C) T5 (Tamb ≤ 46°C)	NEMA 4X*
	XP Explosion Proof Class I, Division 1, GP A,B,C,D T5/T6 Class I Zone 1 AEx d IIC T5/T6 NI Non-indendive Class I, Division 2, GP A,B,C,D T5/T6 Type n Class I, Zone 2 AExnC IIC T5/T6 DIP Dust-ignition proof Class II, III Division 1, GP E,F,G T5/T6 S Suitable for Use Class II, III Division 2, GP F,G T5/T6	---	T5 (Tamb ≤ 85°C) T6 (Tamb ≤ 75°C)	NEMA 4X*

*When remotely vented.

Table 6. Hazardous Area Classifications—ATEX

Certificate	Certification Obtained	Entity Rating	Temperature Code	Enclosure Rating
ATEX	Intrinsically Safe ⊕ II 1 GD Gas Ex ia IIC T3/T4/T5 Dust T95°C (Tamb ≤ 85°C)	Ui = 30 VDC Ii = 100 mA Pi = 1.0 W Ci = 0 nF Li = 0 mH	T3 (Tamb ≤ 85°C) T4 (Tamb ≤ 81°C) T5 (Tamb ≤ 46°C)	IP66*
	Flameproof ⊕ II 2 GD Gas Ex d IIC T5/T6 Dust T95°C (Tamb ≤ 85°C)	---	T5 (Tamb ≤ 85°C) T6 (Tamb ≤ 75°C)	IP66*
	Type n ⊕ II 3 GD Gas Ex nC II T5/T6 Dust T95°C (Tamb ≤ 85°C)	---	T5 (Tamb ≤ 85°C) T6 (Tamb ≤ 75°C)	IP66*

*When remotely vented.

Table 7. Hazardous Area Classifications—IECEx

Certificate	Certification Obtained	Entity Rating	Temperature Code	Enclosure Rating
IECEx	Intrinsically Safe Gas Ex ia IIC T3/T4/T5	Ui = 30 VDC Ii = 100 mA Pi = 1.0 W Ci = 0 uF Li = 0 uH	T3 (Tamb ≤ 85°C) T4 (Tamb ≤ 81°C) T5 (Tamb ≤ 46°C)	IP66*
	Flameproof Gas Ex d IIC T5/T6	---	T5 (Tamb ≤ 85°C) T6 (Tamb ≤ 75°C)	IP66*
	Type n Gas Ex nC IIC T5/T6	---	T5 (Tamb ≤ 85°C) T6 (Tamb ≤ 75°C)	IP66*

*When remotely vented.

Product Bulletin

62.1:i2P-100
July 2014

i2P-100 Transducer
D103197X012

Scan or click the
QR code to find out
more about the
i2P-100 transducer.



Neither Emerson, Emerson Process Management, nor any of their affiliated entities assumes responsibility for the selection, use or maintenance of any product. Responsibility for proper selection, use, and maintenance of any product remains solely with the purchaser and end user.

Fisher is a mark owned by one of the companies in the Emerson Process Management business unit of Emerson Electric Co. Emerson Process Management, Emerson, and the Emerson logo are trademarks and service marks of Emerson Electric Co. All other marks are the property of their respective owners.

The contents of this publication are presented for informational purposes only, and while every effort has been made to ensure their accuracy, they are not to be construed as warranties or guarantees, express or implied, regarding the products or services described herein or their use or applicability. All sales are governed by our terms and conditions, which are available upon request. We reserve the right to modify or improve the designs or specifications of such products at any time without notice.

Emerson Process Management
Marshalltown, Iowa 50158 USA
Sorocaba, 18087 Brazil
Chatham, Kent ME4 4QZ UK
Dubai, United Arab Emirates
Singapore 128461 Singapore

www.Fisher.com