

## Introduction

This installation guide provides instructions for installation, startup, and adjustment. To receive a copy of the instruction manual, contact your local Sales Office or view a copy at [www.fisherregulators.com](http://www.fisherregulators.com). For further information refer to: T208 Series Tank Blanketing Vapor Recovery Regulators Instruction Manual, D103752X012.

## P.E.D. Categories

This product may be used as a safety accessory with pressure equipment in the following Pressure Equipment Directive 97/23/EC categories. It may also be used outside of the Pressure Equipment Directive using sound engineering practice (SEP) per table below.

PRODUCT SIZE	CATEGORY	FLUID TYPE
DN 20 and 25 / 3/4 and 1 inch	SEP	1

## Specifications

### Available Configurations

**Type T208:** Tank blanketing vapor recovery regulator with control pressure range of 5 mbar to 0.48 bar / 2 inches w.c. to 7 psig in six different spring ranges and has internal pressure registration requiring no control line.

**Type T208M:** Similar to Type T208 but has a blocked throat and a control line connection for external pressure registration.

### Body Sizes and End Connection Styles

See Table 1

### Maximum Allowable Inlet (Casing) Pressure<sup>(1)</sup>

See Table 1

### Maximum Outlet Pressure<sup>(1)</sup>

2.4 bar / 35 psig

### Maximum Emergency Inlet Pressure to Avoid Internal Parts Damage<sup>(1)</sup>

**With Nitrile (NBR) or Fluorocarbon (FKM) diaphragm:** 2.4 bar / 35 psig

**With Fluorinated Ethylene Propylene (FEP) diaphragm:** 1.4 bar / 20 psig

### Control Pressure Ranges<sup>(1)</sup>

See Table 2

### Shutoff Classification per ANSI/FCI 70-3-2004

Class VI (Soft Seat)

### Pressure Registration

**Type T208:** Internal

**Type T208M:** External

### Material Temperature Capabilities<sup>(1)(2)</sup>

**Nitrile (NBR):** -29 to 82°C / -20 to 180°F

**Fluorinated Ethylene Propylene (FEP):** -29 to 82°C / -20 to 180°F

**Fluorocarbon (FKM):** 4 to 149°C / 40 to 300°F

**Ethylene Propylene Diene (EPDM):** -29 to 107°C / -20 to 225°F

**Perfluoroelastomer (FFKM):** -18 to 149°C / 0 to 300°F

## Installation



### WARNING

Only qualified personnel shall install or service a regulator. Regulators should be installed, operated, and maintained in accordance with international and applicable codes and regulations, and Emerson Process Management Regulator Technologies, Inc. (Regulator Technologies) instructions.

If the regulator vents fluid or a leak develops in the system, it indicates that service is required. Failure to take the regulator out of service immediately may create a hazardous condition.

Personal injury, equipment damage, or leakage due to escaping fluid or bursting of pressure containing parts may result if this regulator is overpressured or is installed where service conditions could exceed the limits given in the Specifications section, or where conditions exceed any ratings of the adjacent piping or piping connections.

To avoid such injury or damage, provide pressure-relieving or pressure-limiting devices (as required by the appropriate code, regulation, or standard) to prevent service conditions from exceeding limits.

Additionally, physical damage to the regulator could result in personal injury and property damage due to escaping fluid. To avoid such injury and damage, install the regulator in a safe location.

1. The pressure/temperature limits in this Installation Guide and any applicable standard or code limitation should not be exceeded.  
2. See Table 3 for operating temperature ranges for available trim combinations.

# T208 Series

Clean out all pipelines before installation of the regulator and check to be sure the regulator has not been damaged or has collected foreign material during shipping. For NPT bodies, apply pipe compound to the external pipe threads. For flanged bodies, use suitable line gaskets and approved piping and bolting practices. Install the regulator in any position desired<sup>(1)</sup>, unless otherwise specified, but be sure flow through the body is in the direction indicated by the arrow on the body.

## Note

**It is important that the regulator be installed so that the vent hole in the spring case is unobstructed at all times. For outdoor installations, the regulator should be located away from vehicular traffic and positioned so that water, ice, and other foreign materials cannot enter the spring case through the vent. Avoid placing the regulator beneath eaves or downspouts, and be sure it is above the probable snow level.**

## Overpressure Protection

Recommended pressure limitations are stamped on the regulator nameplate. Vapor recovery regulators are used to maintain a constant inlet (blanket) pressure with the outlet flowing to a system whose pressure is lower than that at the inlet. The recovery regulators are not intended to be used as an ASME certified relief device for overpressure protection on a tank. They are to be used as part of a gas blanketing system to control outflow of blanketing gas under normal conditions and collect tank vapors for the vapor disposal reclamation system. Provide alternate methods of emergency overpressure protection.

## Startup

The regulator is factory set at approximately the midpoint of the spring range or the pressure requested, so an initial adjustment may be required to give the desired results. With proper installation completed and relief valves properly adjusted, slowly open the upstream and downstream shutoff valves.

## Adjustment

To change the control pressure, perform the following procedure.

### For internal flat circular adjusting screw:

1. Remove the closing cap (key 22).
2. Use a 25 mm / 1-inch hex rod or flat screwdriver to turn the adjusting screw (key 35) either clockwise to increase control pressure or counterclockwise to decrease control pressure. The regulator will go into immediate operation. To ensure correct operation, always use a pressure gauge to monitor the vapor recovery pressure when making adjustments.
3. After making the adjustment, replace the closing cap gasket (key 25) and install the closing cap (key 22).

### For external square head adjusting screw:

1. Loosen the locknut (key 20).
2. Turn the adjusting screw (key 35) either clockwise to increase control pressure or counterclockwise to decrease control pressure. Always use pressure gauge to monitor the vapor recovery pressure when making adjustments.
3. After making the adjustment, tighten the locknut (key 20).

## Taking Out of Service (Shutdown)



### WARNING

**To avoid personal injury resulting from sudden release of pressure, isolate the regulator from all pressure before attempting disassembly.**

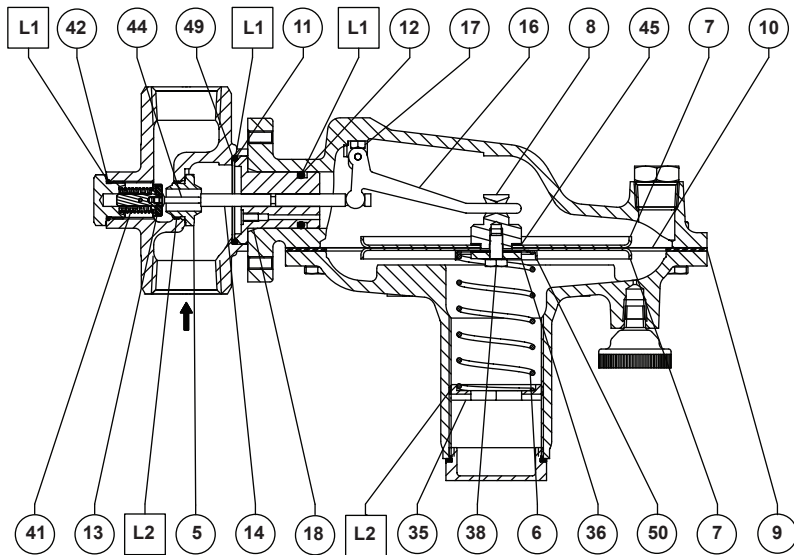
## Parts List

Key	Description	Key	Description
1	Body	26	Vent Assembly
2	Cap Screw (2 required)	27	Pipe Plug (Type T208 only)
3	Spring Case	30*	Stem Seal O-ring (Type T208M only)
4	Lower Casing	31*	Throat Seal O-ring (Type T208M only)
5*	Orifice	34	Machine Screw (Type T208M only)
6	Spring	35	Adjusting Screw
7	Diaphragm Head (2 required)	36	Washer
8	Pusher Post	38	Cap Screw
9	Diaphragm Gasket	41	Back Disk Spring
10*	Diaphragm	42*	Back Body Seal O-ring
11*	Body Seal O-ring	43	Back Body Cap
12*	Insert Seal O-ring	44	Disk Spacer
13*	Disk Assembly	45*	Diaphragm Head Gasket
14	Stem	46	Nameplate
16	Lever Assembly	47	Drive screw (2 required)
17	Machine Screw (2 required)	48	Flow arrow
18	Guide Insert	49	Backup Ring
19	Upper spring seat <sup>(2)</sup>	50	Lower Spring Seat
20	Lock Nut <sup>(2)</sup>	51	NACE Tag (not shown)
22	Closing Cap	52	Tag Wire (not shown)
23	Hex Nut (8 required)		
24	Cap Screw (8 required)		
25*	Closing Cap Gasket		

\*Recommended Spare Part

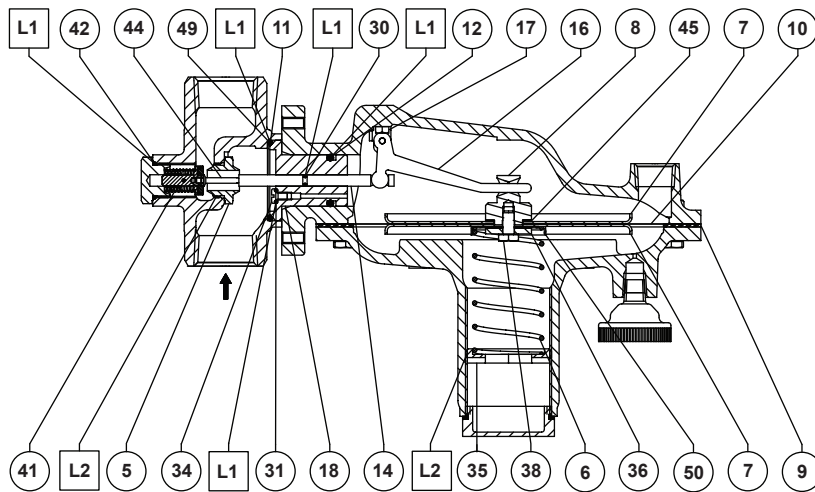
1. For proper operation to achieve the published capacities at low setpoint, the spring case barrel should be installed pointed down as shown in Figure 1.

2. Use for optional external square head adjusting screw assembly recommended for 62 to 172 mbar / 0.9 to 2.5 psig, 90 to 310 mbar / 1.3 to 4.5 psig, and 0.26 to 0.48 bar / 3.8 to 7 psig spring ranges only.



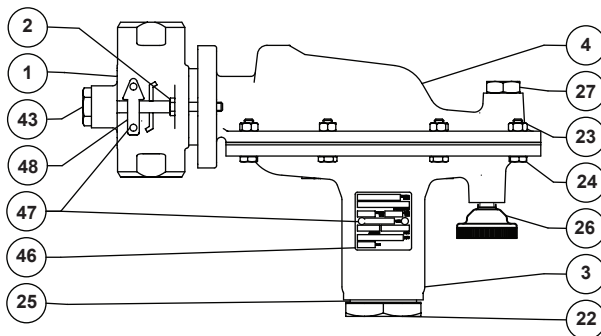
ERSA02737

**TYPE T208 ASSEMBLY WITH INTERNAL PRESSURE REGISTRATION**

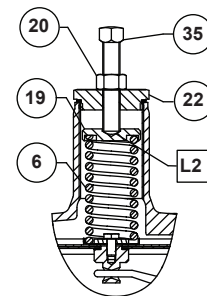


ERSA02738

**TYPE T208M ASSEMBLY WITH EXTERNAL PRESSURE REGISTRATION**



ERSA02737



**EXTERNAL SQUARE HEAD ADJUSTING SCREW ASSEMBLY OPTION<sup>(2)</sup>**

□ **APPLY LUBRICANT<sup>(1)</sup>:**  
**L1 = SILICONE GREASE**  
**L2 = ANTI-SEIZE COMPOUND**

1. Lubricants must be selected such that they meet the temperature requirements.
2. For 62 to 172 mbar / 0.9 to 2.5 psig, 90 to 310 mbar / 1.3 to 4.5 psig, and 0.26 to 0.48 bar / 3.8 to 7 psig spring ranges only.

**Figure 1. T208 Series Assembly**

# T208 Series

**Table 1. Body Sizes, End Connection Styles, and Maximum Allowable Inlet (Casing) Pressures**

BODY SIZE		BODY MATERIAL	END CONNECTION STYLES <sup>(1)</sup>	MAXIMUM ALLOWABLE INLET (CASING) PRESSURE	
DN	Inch			bar	psig
20 or 25	3/4 or 1	Gray cast iron	NPT	2.4	35
		WCC Carbon steel	NPT, CL150 RF, CL300 RF, or PN 16/25/40 RF	5.2	75
		CF8M/CF3M Stainless steel <sup>(2)</sup>			

1. All flanges are welded. Weld-on flange dimension is 356 mm / 14 inches face-to-face.  
2. Pipe nipples and flanges are 316 Stainless steel for flanged body assemblies.

**Table 2. Control Pressure Ranges and Spring Information**

CONTROL PRESSURE RANGE		SPRING PART NUMBER	SPRING COLOR	SPRING WIRE DIAMETER		SPRING FREE LENGTH	
mbar	Inches w.c.			mm	Inch	mm	Inch
5 to 17 <sup>(1)(2)</sup>	2 to 7 <sup>(1)(2)</sup>	1B653827052	Red	2.2	0.085	92.2	3.63
7 to 32 <sup>(1)(2)</sup>	3 to 13 <sup>(1)(2)</sup>	1B653927022	Unpainted	2.7	0.105	95.3	3.75
25 to 65	10 to 26	1B537027052	Yellow	2.9	0.114	109	4.31
62 to 172	0.9 to 2.5 psig	1B537127022	Green	4.0	0.156	103	4.06
90 to 310	1.3 to 4.5 psig	1B537227022	Light blue	4.8	0.187	100	3.94
0.26 to 0.48 bar	3.8 to 7 psig	1B537327052	Black	5.5	0.218	101	3.98

1. To achieve the published control pressure range, the spring case must be installed pointing down.  
2. Do not use Fluorocarbon (FKM) diaphragm with this spring at diaphragm temperatures lower than 16°C / 60°F.

**Table 3. Operating Temperature Ranges for Available Trim Combination**

TRIM OPTION CODE	DIAPHRAGM MATERIAL	DISK AND O-RING MATERIAL	OPERATING TEMPERATURE RANGES
Standard	Nitrile (NBR)	Nitrile (NBR)	-29 to 82°C / -20 to 180°F
VV	Fluorocarbon (FKM)	Fluorocarbon (FKM)	4 to 149°C / 40 to 300°F
TN	Fluorinated Ethylene Propylene (FEP)	Nitrile (NBR)	-29 to 82°C / -20 to 180°F
TV	Fluorinated Ethylene Propylene (FEP)	Fluorocarbon (FKM)	4 to 82°C / 40 to 180°F
TK	Fluorinated Ethylene Propylene (FEP)	Perfluoroelastomer (FFKM)	-18 to 82°C / 0 to 180°F
TE	Fluorinated Ethylene Propylene (FEP)	Ethylene Propylene Diene (EPDM)	-29 to 82°C / -20 to 180°F

## Industrial Regulators

### Emerson Process Management Regulator Technologies, Inc.

USA - Headquarters  
McKinney, Texas 75070 USA  
Tel: +1 800 558 5853  
Outside U.S. +1 972 548 3574

Asia-Pacific  
Shanghai 201206, China  
Tel: +86 21 2892 9000

Europe  
Bologna 40013, Italy  
Tel: +39 051 419 0611

Middle East and Africa  
Dubai, United Arab Emirates  
Tel: +971 4811 8100

## Natural Gas Technologies

### Emerson Process Management Regulator Technologies, Inc.

USA - Headquarters  
McKinney, Texas 75070 USA  
Tel: +1 800 558 5853  
Outside U.S. +1 972 548 3574

Asia-Pacific  
Singapore 128461, Singapore  
Tel: +65 6770 8337

Europe  
Bologna 40013, Italy  
Tel: +39 051 419 0611  
Chartres 28008, France  
Tel: +33 2 37 33 47 00

## TESCOM

### Emerson Process Management Tescom Corporation

USA - Headquarters  
Elk River, Minnesota 55330-2445, USA  
Tels: +1 763 241 3238  
+1 800 447 1250

Europe  
Selmsdorf 23923, Germany  
Tel: +49 38823 31 287

Asia-Pacific  
Shanghai 201206, China  
Tel: +86 21 2892 9499

For further information visit [www.fisherregulators.com](http://www.fisherregulators.com)



The distinctive diamond shape cast into every spring case uniquely identifies the regulator as part of the Fisher® brand and assures you of the highest-quality engineering, durability, performance, and support.

The Emerson logo is a trademark and service mark of Emerson Electric Co. All other marks are the property of their prospective owners. Fisher is a mark owned by Fisher Controls International LLC, a business of Emerson Process Management.

The contents of this publication are presented for informational purposes only, and while every effort has been made to ensure their accuracy, they are not to be construed as warranties or guarantees, express or implied, regarding the products or services described herein or their use or applicability. We reserve the right to modify or improve the designs or specifications of such products at any time without notice.

Emerson Process Management Regulator Technologies, Inc. does not assume responsibility for the selection, use or maintenance of any product. Responsibility for proper selection, use and maintenance of any Emerson Process Management Regulator Technologies, Inc. product remains solely with the purchaser.